

RS-M 1050/2050

Spare parts manual

Article number: 70009836/1

Production year: 2007

Effective: 02156 ≥Mach ID

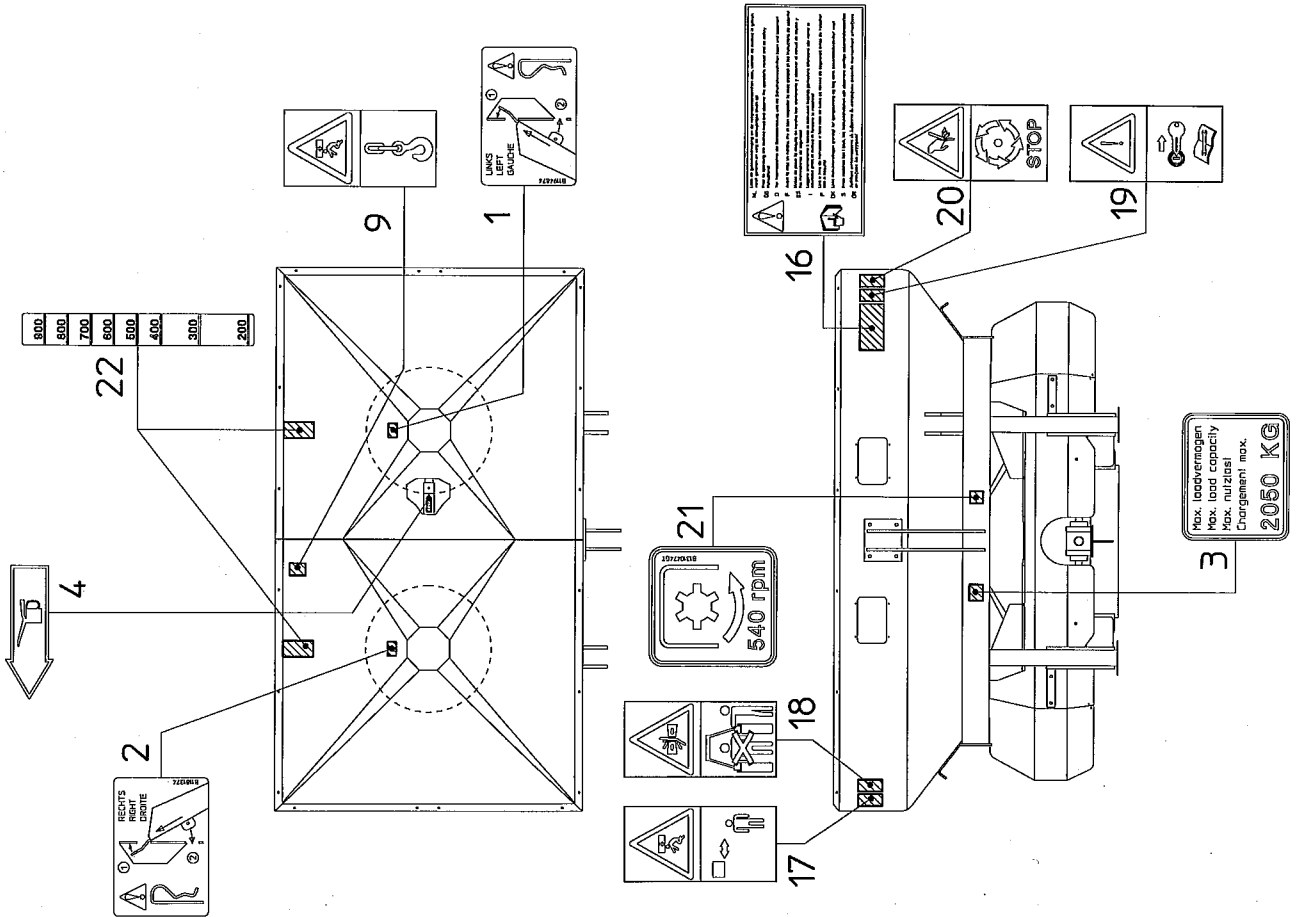
Prod. Series nr: 77152-3

AANHAALMOMENTEN/TORQUES/ANZUGSMOMENTE/COUPLES DE SERRAGE/PARES DE APRIETE/I MOMENTI TORCENTI/ATDRAGNINGSMOMENTER/MOMENTER/TILTREKKINGSMOMENTER

- NL** Richtlijnen voor aanhaalmomenten (in Nm) voor zelfborgende moeren, zeskantbouten en moeren. **GB** Directives for torques (in Nm) for self-locking nuts, hexagonal bolts and nuts.
D Richtlinien für Anzugsmomente (in Nm) für selbstsichernde Mutterm, Sechskantschrauben und Mutterm. **F** Directives relatives aux couples de serrage (en Nm) pour les écrous à auto-bloccage, les boulons à six et les écrous.
ES Directrices para los pares de apriete (en Nm) para tuercas autobloccantes, tornillos hexagonales y tuercas. **I** Linee guida riguardanti i momenti torcenti (espressi in Nm) per dadi autobloccanti, bulloni esagonali e dadi.
S Riktlinjer för åtdragningsmoment (i Nm) för självåsande bultar, sexkantbultar och muttrar. **DK** Retningslinjer for momenter (i Nm) for selvåsende møtrikker, hexagon bolte og møtrikker.
N Retningslinjer for tiltrekkingsmomenter (i Nm) for selvåsende mutre, sekskantskruer og muttre.

| KWALITEIT/QUALITY/QUALITAT QUALITÉ/CALIDAD/QUALITA/KVALITET | 4.6 | | 8.8 | | 10.9 | | 12.9 |
|--|------|------|------|------|------|------|------|
| | 0,10 | 0,13 | 0,10 | 0,13 | 0,10 | 0,13 | |
| Wrijving/Friction/Reibung/Frottement/ Fricción/Frizione/Friktion/Friksjon * | | | | | | | |
| Schroefdraad/Thread/Gewinde/Filetage Rosca/Filettatura/Gånga/Størrelse/ Gjenger | | | | | | | |
| M5 | 1,7 | 2 | 5 | 6 | 7 | 9 | 10 |
| M6 | 3 | 4 | 9 | 10 | 13 | 15 | 18 |
| M8 | 8 | 9 | 21 | 25 | 31 | 36 | 42 |
| M10 | 16 | 19 | 40 | 50 | 60 | 70 | 85 |
| M12 | 27 | 32 | 70 | 85 | 105 | 120 | 145 |
| M14 | 42 | 50 | 115 | 135 | 165 | 195 | 230 |
| M16 | 65 | 76 | 175 | 210 | 260 | 300 | 350 |
| M18 | 90 | 110 | 250 | 290 | 350 | 420 | 490 |
| M20 | 125 | 150 | 350 | 420 | 500 | 600 | 700 |
| M22 | 170 | 200 | 470 | 560 | 670 | 800 | 930 |
| M24 | 210 | 250 | 600 | 710 | 860 | 1020 | 1180 |

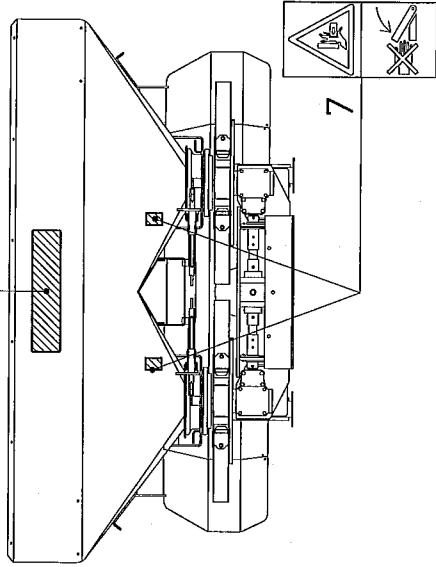
- * **NL** De wrijvingscoëfficiënt van 0,10 geldt voor geoliede plaat, gietijzer, geharde vlakken, vette schroefdraad, etc. De hogere waarde van 0,13 geldt voor een droge plaat. Uitzonderingen op deze tabel zijn vermeld in het onderdeel- en/of instructieboek. Aanhaalmomenten voor bouten en moeren met gekarteide onderkant, zoals Tensilock en Whizlock, 10% extra.
* **GB** The friction coefficient of 0,10 applies to oiled sheet, cast iron, hardened surfaces, greasy thread, etc. The higher value of 0,13 applies to dry sheet. Exceptions to this table are stated in the parts- and /or instruction manual. Torques for bolts and nuts with a knurled underside, like Tensilock and Whizlock, 10% extra.
* **D** Der Reibungskoeffizient von 0,10 gilt für geölte Flächen, Gußeisen, gehärtete Flächen, fettetes Gewinde usw. Der höhere Wert von 0,13 gilt für trockene Flächen. Ausnahmen zu dieser Tabelle sind im Ersatzteilhft und/oder in der Betriebsanleitung. Anzugsmomente für Schrauben und Mutterm mit gerändelter Unterseite, wie Tensilock und Whizlock, zuzüglich 10% extra.
* **F** Le coefficient de frottement de 0,10 s'applique aux surfaces huilées, à la fonte, aux surfaces trempées, aux filetages graissés etc. Le coefficient de 0,13 aux surfaces sèches. Les exceptions à se tableau sont mentionnées dans la nomenclature des pièces et/ou dans le manuel d'emploi. Ajoutez 10% pour les boulons et écrous à partie inférieure crénelée, comme les Tensilock et les Whizlock.
* **ES** El coeficiente de fricción de 0,10 es indicado para planchas lubricadas, hierro fundido, superficies endurecidas, rosca graziata, etc. El valor más alto de 0,13 es para planchas secas. Las excepciones a este cuadro se mencionan en el libro de repuestos y/o manual de instrucciones. Los pares de apriete para tornillos y tuercas con cara inferior dentada, como los Tensilock y Whizlock, 10% extra.
* **I** Il coefficiente di frizione pari a 0,10 si riferisce a superfici oliate, alla ghisa, a superfici temprate, a filettature spesse ecc. Il valore più alto, pari a 0,13, si riferisce a superfici asciutte. Tutte le eccezioni a quanto riportato in questa tabella, si trovano nel libretto delle istruzioni. I momenti torcenti per bulloni e dadi la cui parte inferiore è zigrinata, come i Tensilock (K 100) e Whizlock, sono superiori del 10%.
* **S** Friktionskoefficienten 0,10 gäller oljad plåt, gjutjärn, hårdade ytor, smorda gängor etc. Det högre värdet 0,13 gäller torr plåt. Undantag från denna tabell anges i reservdels- och/eller instruktionsboken.
* **DK** Atdragningsmoment for råfflade bultar och muttrar, som Tensilock og Whizlock 10% extra.
* **N** Friktrionskoeffisienten på 0,10 gælder for smurte flader, støbejern, hærkede overflader, fedtholdige gevind etc. Den højere værdi på 0,13 gælder for tørre flader. Undtagelser til tabellen er angivet i reservdels- og/eller instruktionsbog. Når det drejer sig om momenter for bolte og møtrikker med en riflet underside, som Tensilock (K100) og Whizlock, skal der tilføjes 10% ekstra.
* **N** Friktrionskoeffisienten på 0,10 gælder for smurt plate, støbejern, herdede flater, innfattede gjenger etc. Den høyere verdien på 0,13 gjelder for tørr plate. Unntak fra denne tabellen er angitt i deleboken og/eller i instruksjonsboken. Tiltrekkingsmomenter for skruer og muttre med riflet underkant, som Tensilock (K100) og Whizlock 10% tillegg.



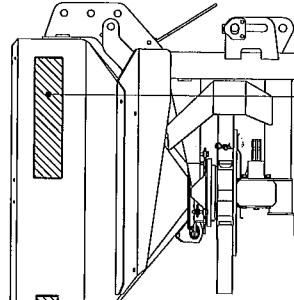
| Bestelnummer | ordernummer | num. a commander | Bestelnummer |
|--------------|-------------|------------------|--------------|
| 1 | VNB1194874 | 1 | |
| 2 | VNB1181374 | 1 | |
| 3 | VNB3829974 | 1 | |
| 4 | VN90090191 | 2 | |
| 6 | VNB4108074 | 3 | |
| 7 | VGTR2059 | 2 | |
| 8 | VGTR1010 | 2 | |
| 9 | VGTR2039 | 1 | |
| 16 | VNB0903374 | 1 | |
| 17 | VGTR2015 | 1 | |
| 18 | VGTR2011 | 1 | |
| 19 | VGTR2005 | 1 | |
| 20 | VGTR2023 | 1 | |
| 21 | VNB1310474 | 1 | |
| 22 | VNB2778974 | 12 | |



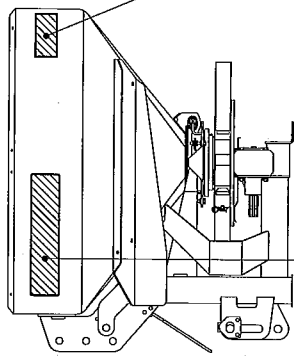
6



7



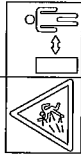
6



6



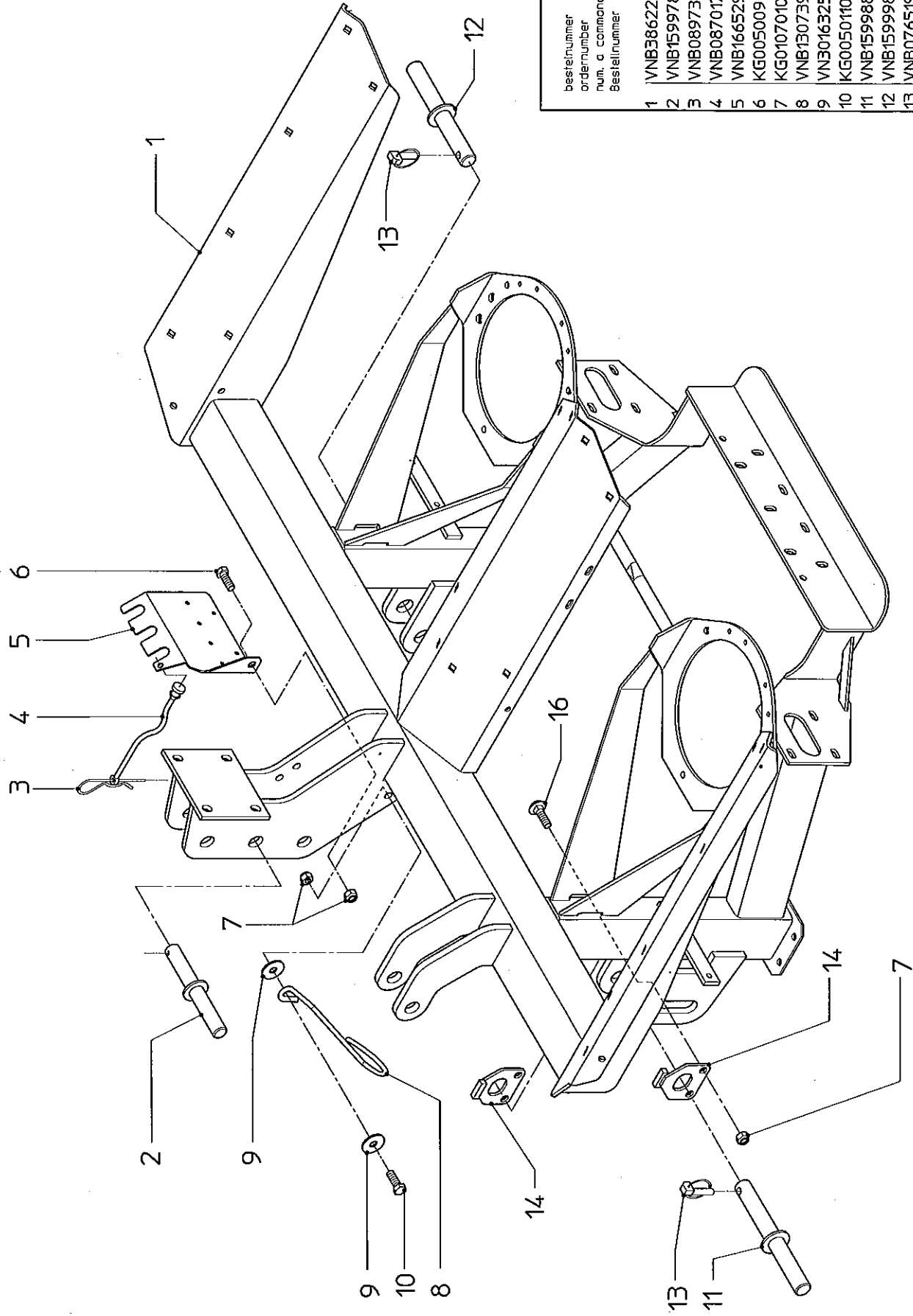
8



serial number 77152

D1

RS-M 1050/2050 (3)



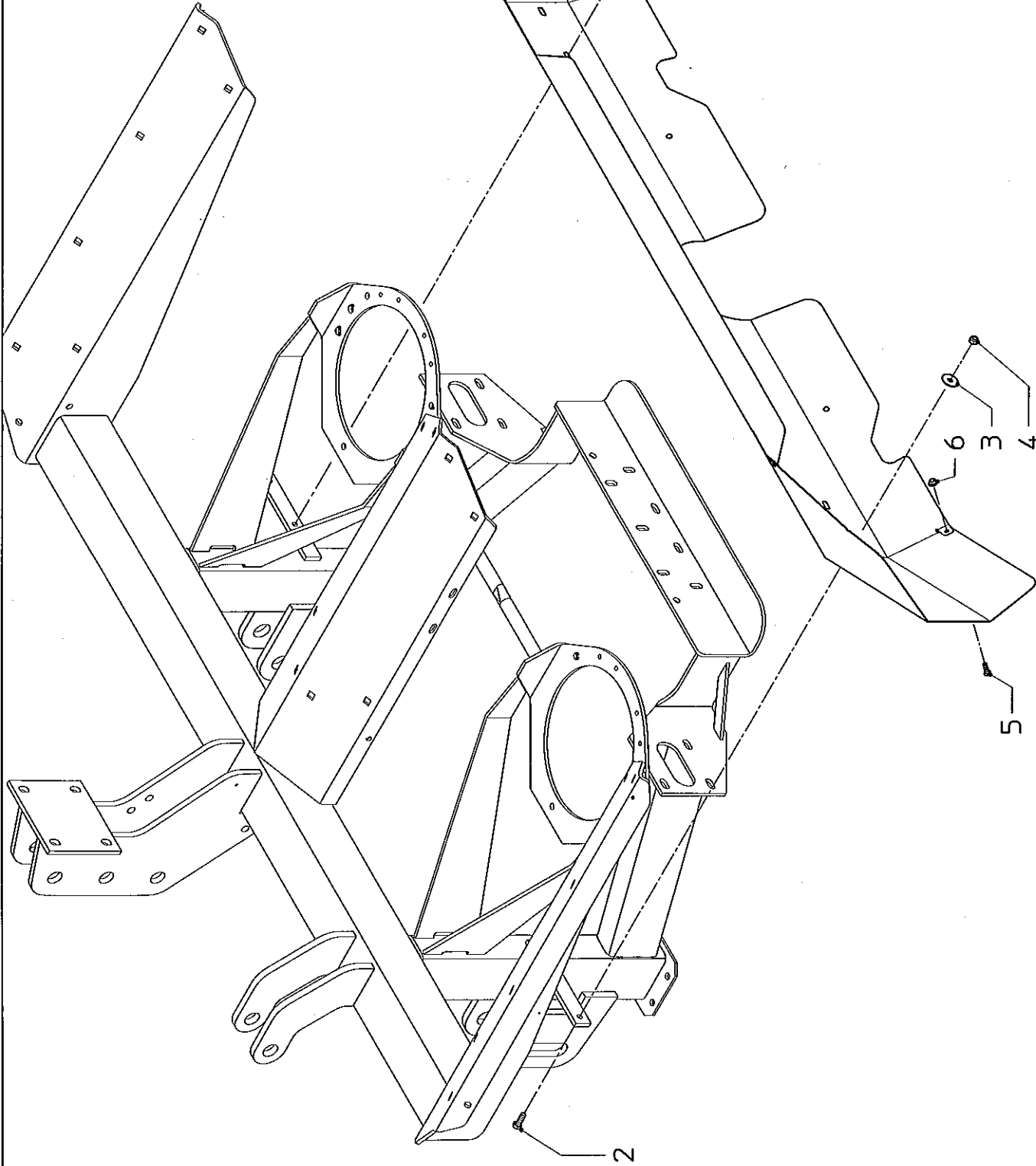
bestellnummer
ordernummer
num. a commander
Bestellnummer

| | | | |
|----|------------|---|---------------|
| 1 | VNB3862286 | 1 | M12x30/RVS |
| 2 | VNB1599786 | 1 | M12/RVS/Nyloc |
| 3 | VNB0897393 | 1 | A13/RVS |
| 4 | VNB0870178 | 1 | M12x40/RVS |
| 5 | VNB1665294 | 1 | |
| 6 | KG00500900 | 1 | |
| 7 | KG01070100 | 4 | |
| 8 | VNB1307394 | 1 | |
| 9 | VNB0163250 | 2 | |
| 10 | KG00501100 | 1 | |
| 11 | VNB1599886 | 1 | |
| 12 | VNB1599986 | 1 | |
| 13 | VNB0765193 | 2 | |
| 14 | VNB2057986 | 2 | |
| 16 | KG00656000 | 2 | M12x30/RVS |

serial number 77152

D2

RS-M 1050/2050 (3)



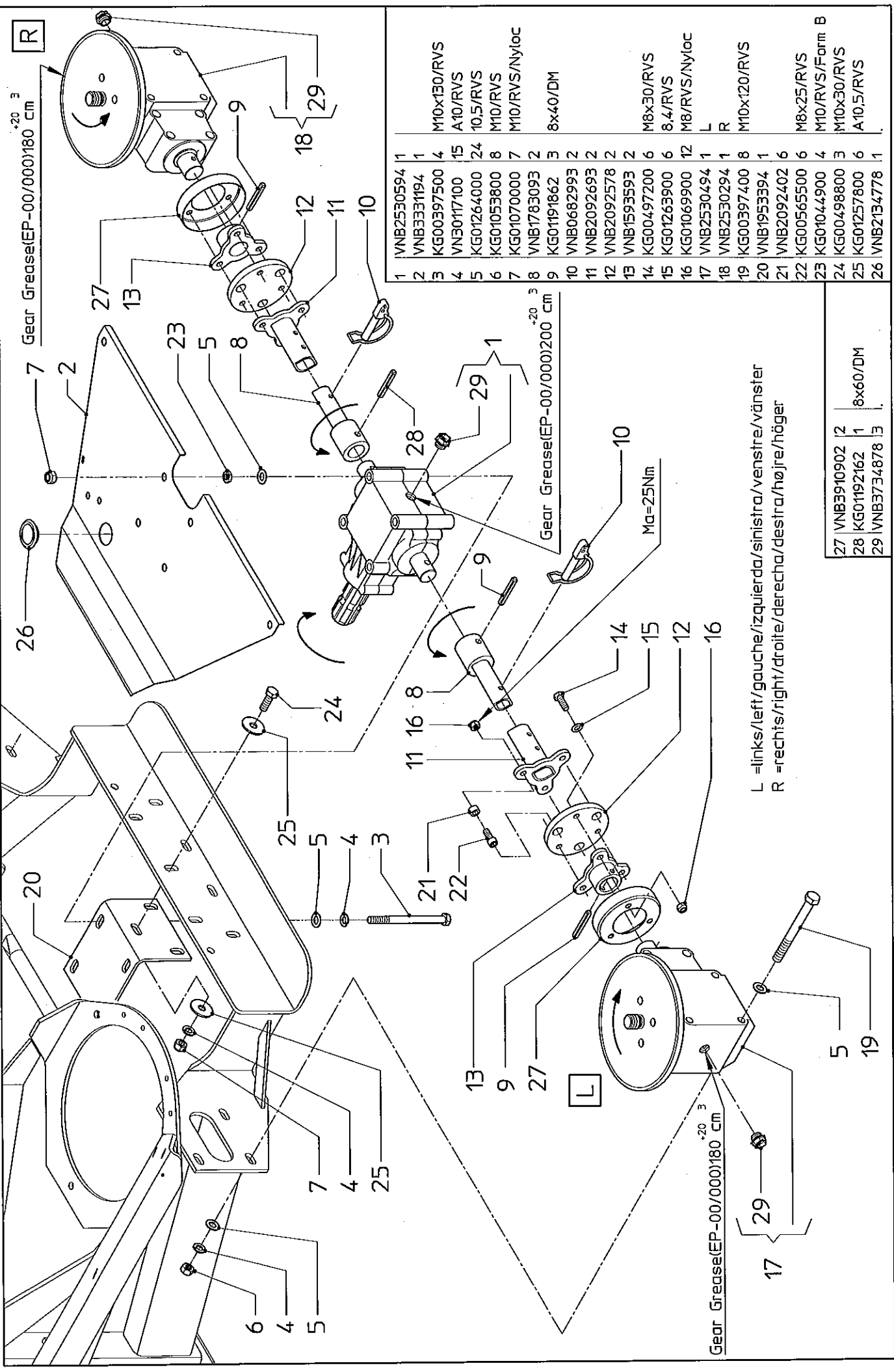
bestelnnummer
ordernummer
num. a commander
Bestellnummer

| | | | |
|---|------------|---|--------------|
| 1 | VNB3868002 | 1 | M8x25/RVS |
| 2 | KG00497100 | 4 | A8.4/RVS |
| 3 | KG01257600 | 4 | M8/RVS/Nyloc |
| 4 | KG01069900 | 4 | M6x12/RVS |
| 5 | KG00494900 | 4 | M6/RVS |
| 6 | KG01059600 | 4 | |

RS-M 1050/2050 (3)

D3

serial number 77152



| | | | |
|----|------------|----|----------------|
| 1 | VNB2530594 | 1 | M10x130/RVS |
| 2 | VNB3331194 | 1 | A10/RVS |
| 3 | KG00397500 | 4 | 10,5/RVS |
| 4 | VN3017100 | 15 | M10/RVS |
| 5 | KG01264000 | 24 | M10/RVS/Nyloc |
| 6 | KG01053600 | 8 | 8x40/DM |
| 7 | KG01070000 | 7 | M8x30/RVS |
| 8 | VNB1783093 | 2 | 8,4/RVS |
| 9 | KG01191862 | 3 | M8/RVS/Nyloc |
| 10 | VNB0682993 | 2 | L |
| 11 | VNB2092693 | 2 | R |
| 12 | VNB2092578 | 2 | M10x120/RVS |
| 13 | VNB1593593 | 2 | M8x25/RVS |
| 14 | KG00497200 | 6 | M10/RVS/Form B |
| 15 | KG01263900 | 6 | M10x30/RVS |
| 16 | KG01069900 | 12 | A10,5/RVS |
| 17 | VNB2530494 | 1 | |
| 18 | VNB2530294 | 1 | |
| 19 | KG00397400 | 8 | |
| 20 | VNB1953394 | 1 | |
| 21 | VNB2092402 | 6 | |
| 22 | KG00565500 | 6 | |
| 23 | KG01044900 | 4 | |
| 24 | KG00498800 | 3 | |
| 25 | KG01257800 | 6 | |
| 26 | VNB2134778 | 1 | |

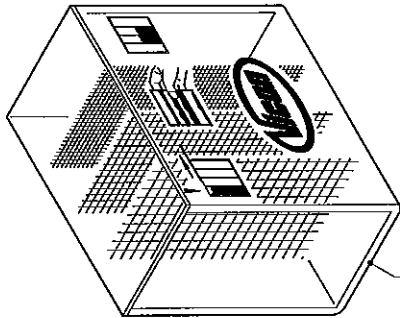
L = links/left/gauche/izquierda/sinistra/venstre/vänster
 R = rechts/right/droite/derecha/destra/højre/höger

| | | | |
|----|------------|---|---------|
| 27 | VNB3910902 | 2 | 8x60/DM |
| 28 | KG01192162 | 1 | |
| 29 | VNB3734878 | 3 | |

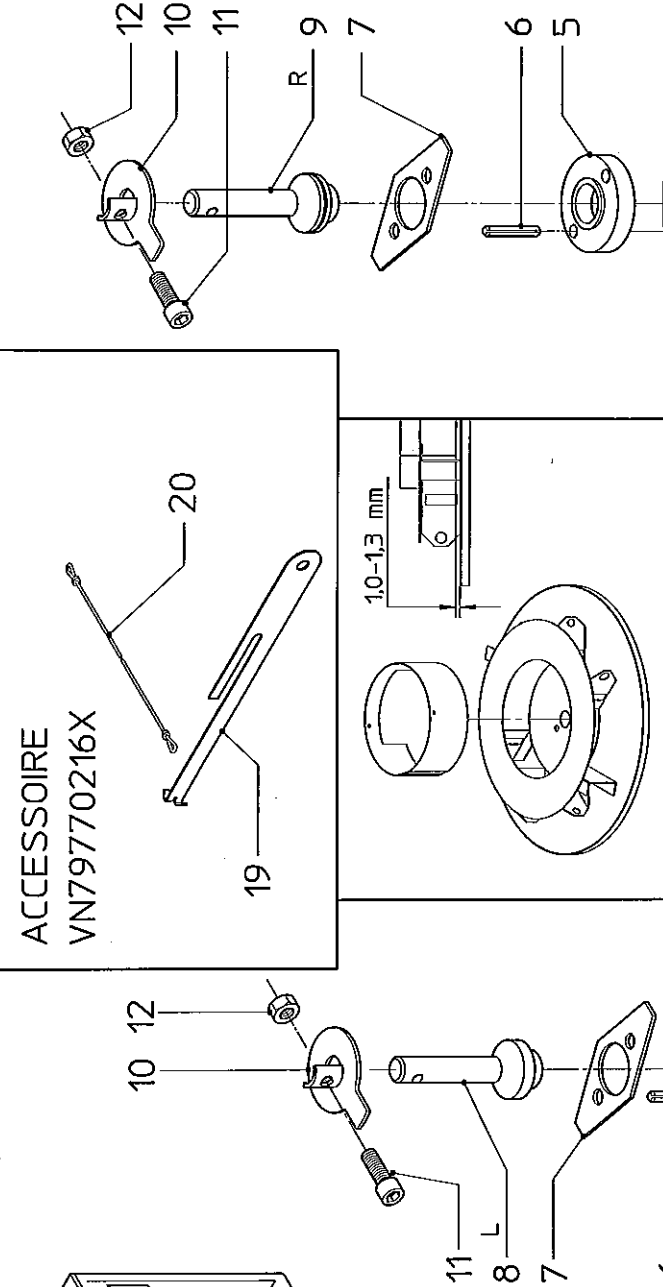
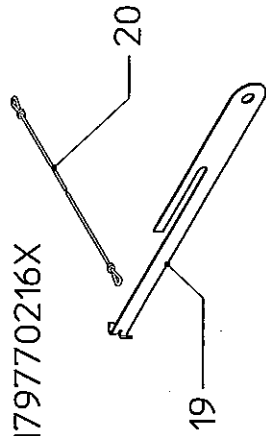
serial number 77152

D4

RS-M 1050/2050 (3)

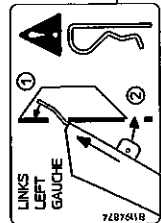
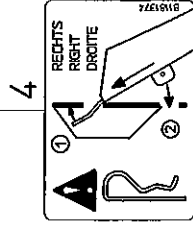
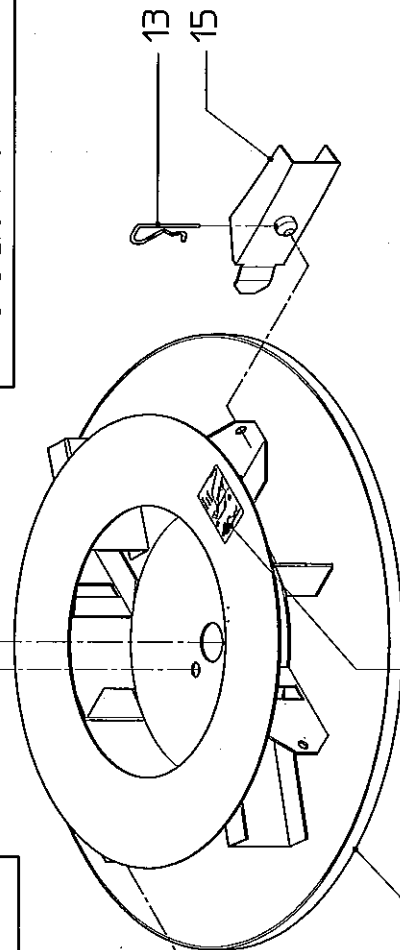
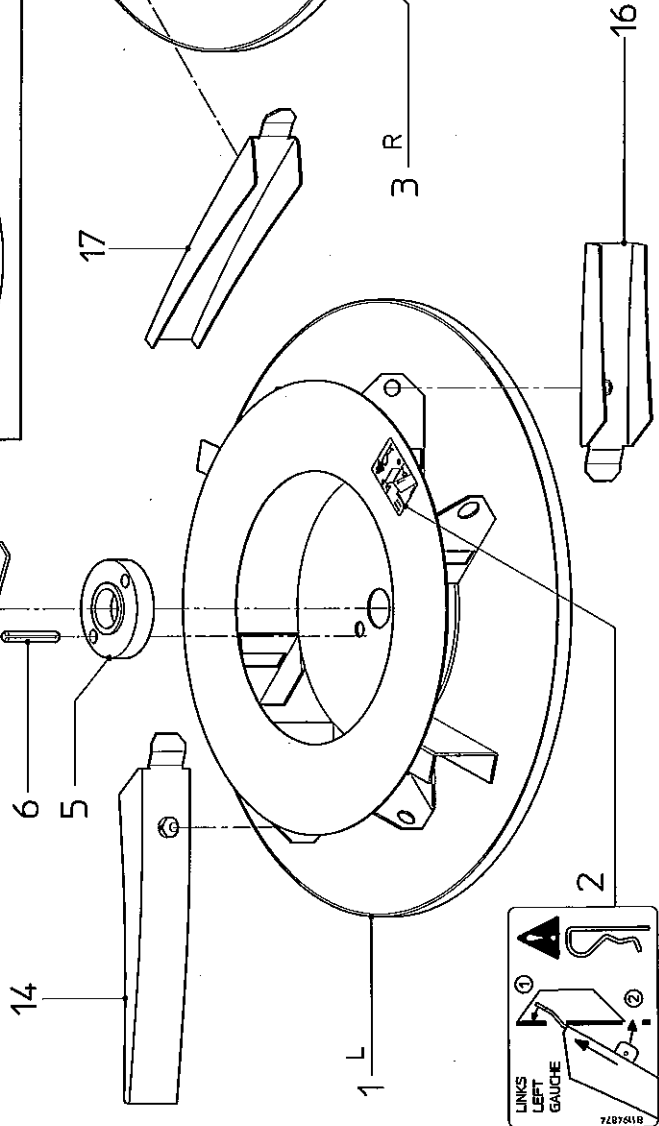


ACCESSOIRE
VN79770216X



| | | | |
|----|------------|----|--------------|
| 1 | VNB1060202 | 1 | L |
| 2 | VNB1194874 | 1 | L |
| 3 | VNB1060102 | 1 | R |
| 4 | VNB1181374 | 1 | R |
| 5 | VNB1077665 | 2 | |
| 6 | KG01204600 | 4 | 10x30 |
| 7 | VNB1077702 | 2 | |
| 8 | VNB1654565 | 1 | L |
| 9 | VNB1654465 | 1 | R |
| 10 | VNB2333794 | 2 | |
| 11 | KG00565700 | 2 | M8x35/RVS |
| 12 | KG01069900 | 2 | M8/RVS/Nyloc |
| 13 | VNB1082102 | 12 | |
| 14 | VNB1060002 | 4 | L=285 |
| 15 | VNB1998902 | 4 | L=135 |
| 16 | VNB1999002 | 4 | L=185 |
| 17 | VNB1999102 | 4 | L=235 |
| 18 | VN79770150 | 1 | |

| | |
|--------------|---|
| ACCESSOIRE | |
| VN79770216X1 | 1 |
| VNB1709302 | 1 |
| VNB1754278 | 1 |

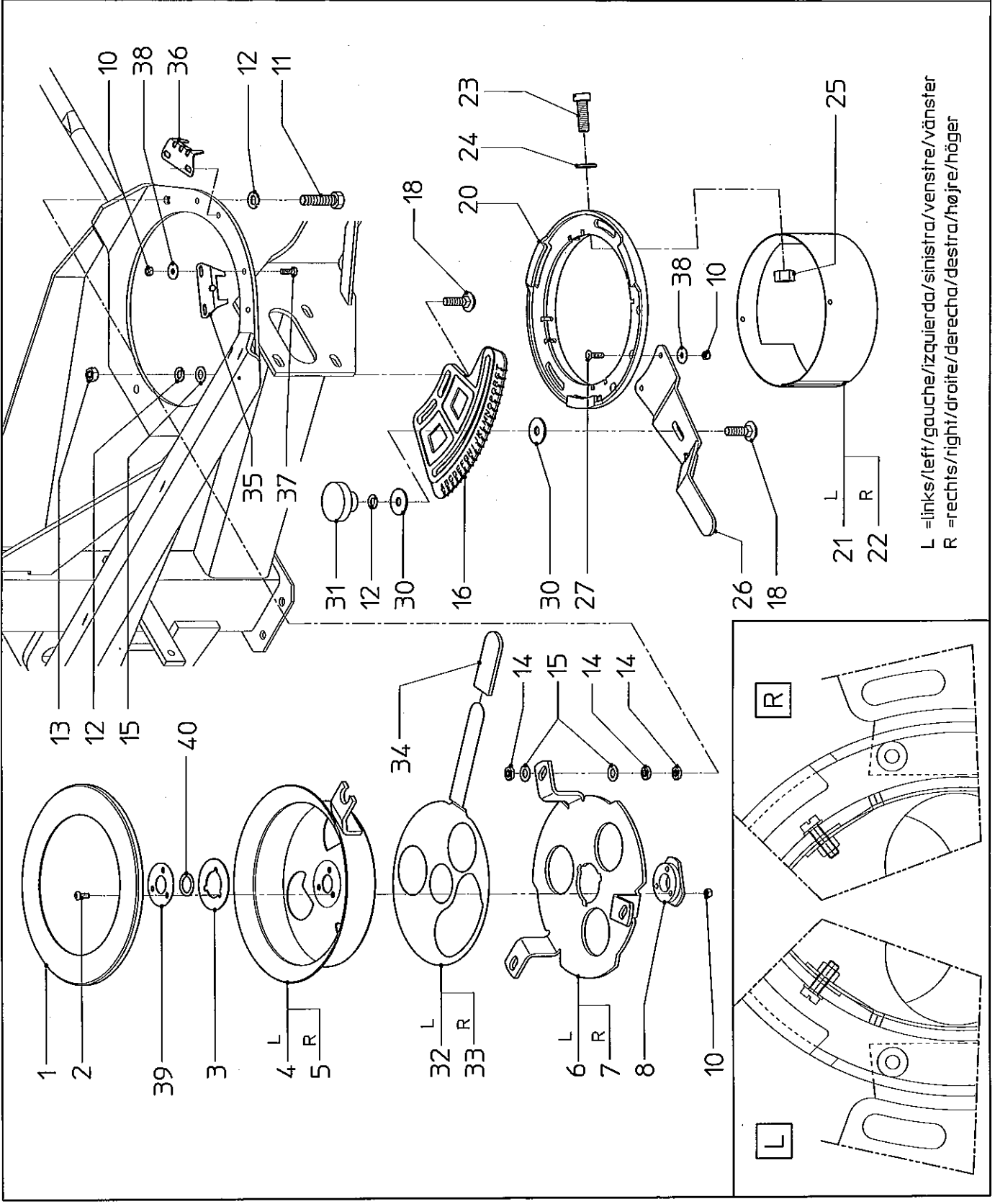


L = links/left/gauche/izquierda/sinistra/venstre/vänster
R = rechts/right/droite/derecha/destra/højre/höger

serial number 77152

D5

RS-M 1050/2050 (3)



bestelnummer
 ordernummer
 num. a commander
 Bestellnummer

| | | | |
|----|------------|----|----------------|
| 1 | VNB2333878 | 12 | M6x16/RVS |
| 2 | KG00738100 | 6 | L |
| 3 | VNB4061702 | 2 | R |
| 4 | VNB1578602 | 1 | L |
| 5 | VNB1578502 | 1 | R |
| 6 | VNB1616886 | 1 | L |
| 7 | VNB1616786 | 1 | R |
| 8 | VNB4073178 | 2 | M6/RVS/Nyloc |
| 10 | KG01069800 | 18 | M10x50/RVS |
| 11 | KG00499200 | 6 | A10 |
| 12 | VN30117100 | 12 | M10/RVS |
| 13 | KG01053800 | 4 | M10/RVS/Form B |
| 14 | KG01044900 | 18 | 10.5/RVS |
| 15 | KG01264000 | 16 | M10x30/RVS |
| 16 | VNB2068678 | 2 | L |
| 18 | KG00654500 | 6 | R |
| 20 | VNB1617078 | 2 | M5x16/RVS |
| 21 | VNB1774102 | 1 | 5.3/RVS |
| 22 | VNB1774002 | 1 | M5/RVS/Nyloc |
| 23 | KG00713700 | 8 | M6x16/RVS |
| 24 | KG01263700 | 8 | A10/RVS |
| 25 | KG01069700 | 8 | L |
| 26 | VNB2068578 | 2 | R |
| 27 | KG00870000 | 4 | M6x16/RVS |
| 30 | KG01257800 | 4 | A10/RVS |
| 31 | VN17856588 | 2 | L |
| 32 | VNB2544402 | 1 | R |
| 33 | VNB2544502 | 1 | L |
| 34 | VNB2544378 | 2 | R |
| 35 | VNB2544102 | 2 | L |
| 36 | VNB2544002 | 2 | R |
| 37 | KG00495100 | 8 | M6x16/RVS |
| 38 | KG01257400 | 12 | A6.4/RVS |
| 39 | VNB4059402 | 2 | L |
| 40 | VNB4061978 | 2 | R |

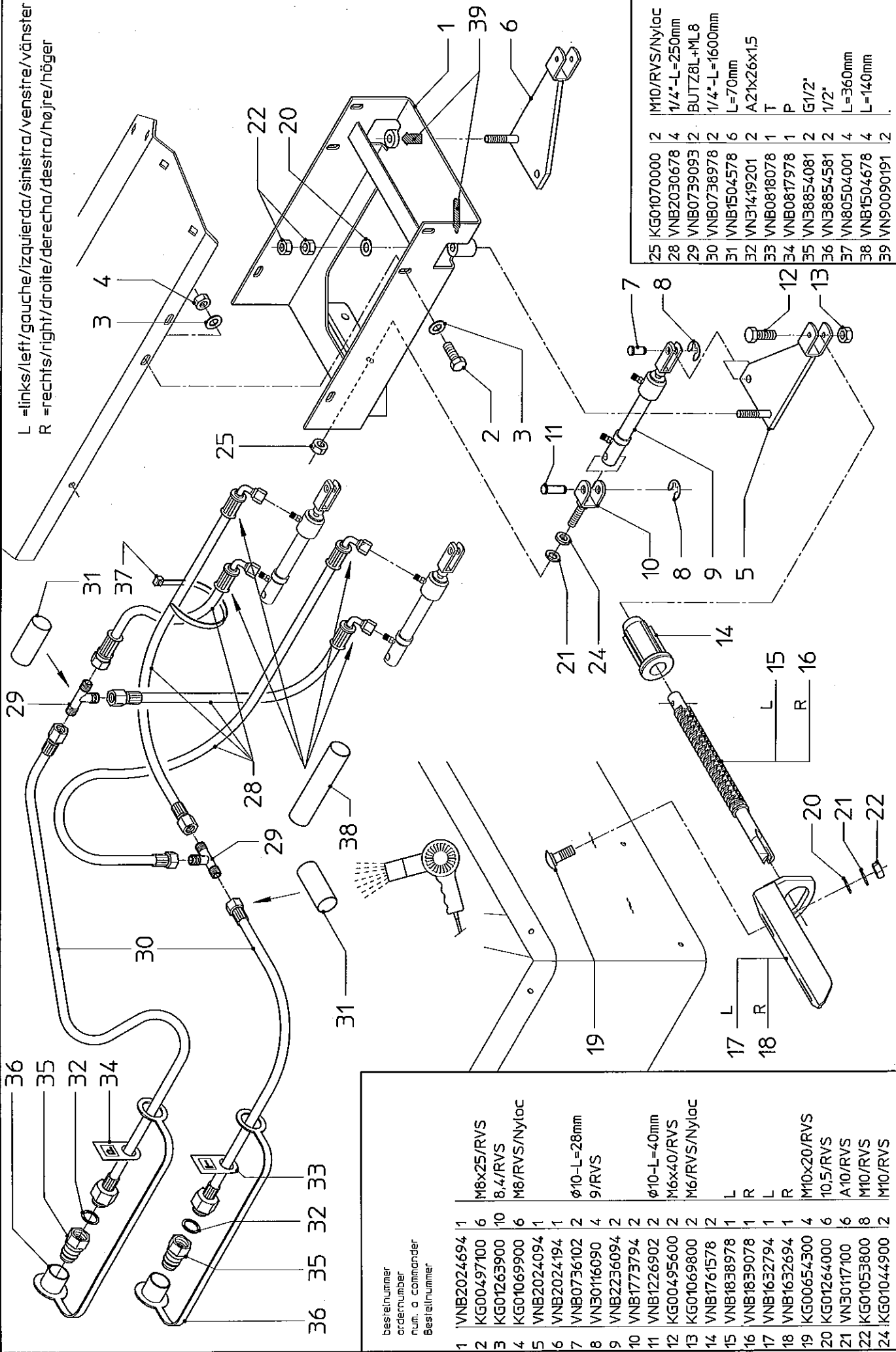
L =links/left/gauche/izquierda/sinistra/venstre/vänster
 R =rechts/right/droite/derecha/destra/højre/höger

serial number 77152

D6

RS-M 1050/2050 (3)

L =links/left/gauche/izquierda/sinistra/venstre/vänster
 R =rechts/right/droite/derecha/destra/højre/höger



bestellnummer
 order number
 num. o commander
 Bestellnummer

| | | | |
|----|------------|----|--------------|
| 1 | VNB2024694 | 1 | M8x25/RVS |
| 2 | KG00497100 | 6 | 8,4/RVS |
| 3 | KG01263900 | 10 | M8/RVS/Nyloc |
| 4 | KG01069900 | 6 | ø10-L=28mm |
| 5 | VNB2024094 | 1 | 9/RVS |
| 6 | VNB2024194 | 1 | ø10-L=40mm |
| 7 | VNB0736102 | 2 | M6x40/RVS |
| 8 | VN30116090 | 4 | M6/RVS/Nyloc |
| 9 | VNB2236094 | 2 | L |
| 10 | VNB1773794 | 2 | R |
| 11 | VNB1226902 | 2 | L |
| 12 | KG00495600 | 2 | R |
| 13 | KG01069800 | 2 | M10x20/RVS |
| 14 | VNB1761578 | 2 | 10,5/RVS |
| 15 | VNB1838978 | 1 | A10/RVS |
| 16 | VNB1839078 | 1 | M10/RVS |
| 17 | VNB1632794 | 1 | M10/RVS |
| 18 | VNB1632694 | 1 | |
| 19 | KG00654300 | 4 | |
| 20 | KG01264000 | 6 | |
| 21 | VN30117100 | 6 | |
| 22 | KG01053800 | 8 | |
| 24 | KG01044900 | 2 | |

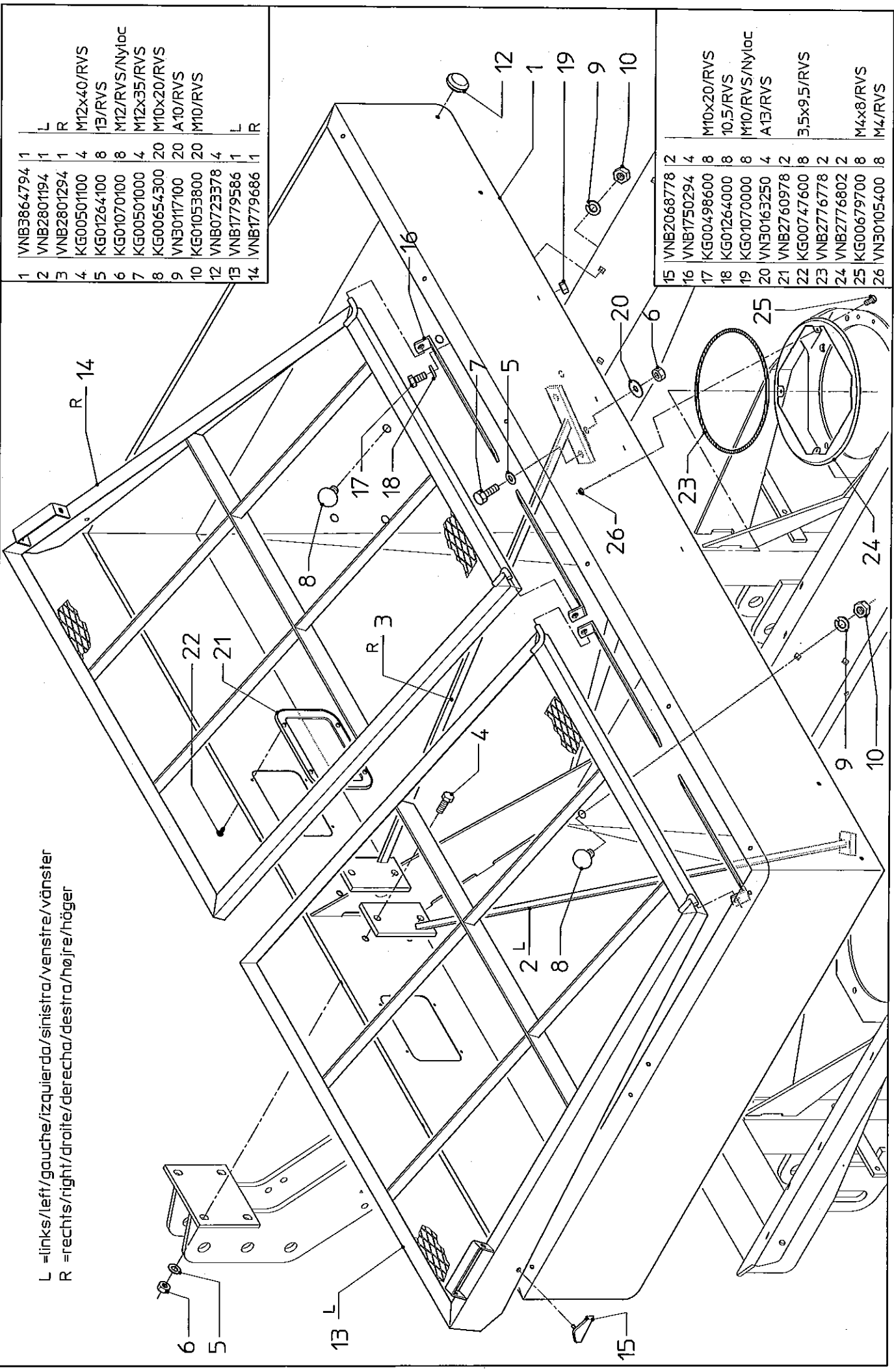
| | | | |
|----|-------------|---|---------------|
| 25 | KG01070000 | 2 | M10/RVS/Nyloc |
| 28 | VNB2030678 | 4 | 1/4"-L=250mm |
| 29 | VNB0739093 | 2 | BUTZ8L+ML8 |
| 30 | VNB0738978 | 2 | 1/4"-L=1600mm |
| 31 | VNB1504578 | 6 | L=70mm |
| 32 | VN31419201 | 2 | A21x26x15 |
| 33 | VNB0818078 | 1 | T |
| 34 | VNB0817978 | 1 | P |
| 35 | VNB38854081 | 2 | G1/2" |
| 36 | VNB38854581 | 2 | 1/2" |
| 37 | VNB0504001 | 4 | L=360mm |
| 38 | VNB1504678 | 4 | L=140mm |
| 39 | VNB90090191 | 2 | |

serial number 77152

D7

RS-M 1050/2050 (3)

L =links/left/gauche/sinistra/venstre/vänster
R =rechts/right/droite/destra/højre/höger



| | | | |
|----|------------|----|---------------|
| 1 | VNB3864794 | 1 | L |
| 2 | VNB2801194 | 1 | R |
| 3 | VNB2801294 | 1 | R |
| 4 | KG00501100 | 4 | M12x40/RVS |
| 5 | KG01264100 | 8 | 13/RVS |
| 6 | KG01070100 | 8 | M12/RVS/Nyloc |
| 7 | KG00501000 | 4 | M12x35/RVS |
| 8 | KG00654300 | 20 | M10x20/RVS |
| 9 | VN30117100 | 20 | A10/RVS |
| 10 | KG01053800 | 20 | M10/RVS |
| 12 | VNB0723378 | 4 | L |
| 13 | VNB1779586 | 1 | L |
| 14 | VNB1779686 | 1 | R |

| | | | |
|----|------------|---|---------------|
| 15 | VNB2068778 | 2 | M10x20/RVS |
| 16 | VNB1750294 | 4 | 10.5/RVS |
| 17 | KG00498600 | 8 | M10/RVS/Nyloc |
| 18 | KG01264000 | 8 | A13/RVS |
| 19 | KG01070000 | 8 | 3.5x9.5/RVS |
| 20 | VN30163250 | 4 | M4x8/RVS |
| 21 | VNB2760978 | 2 | M4/RVS |
| 22 | KG00747600 | 8 | |
| 23 | VNB2776778 | 2 | |
| 24 | VNB2776802 | 2 | |
| 25 | KG00679700 | 8 | |
| 26 | VN30105400 | 8 | |

76.009761-11

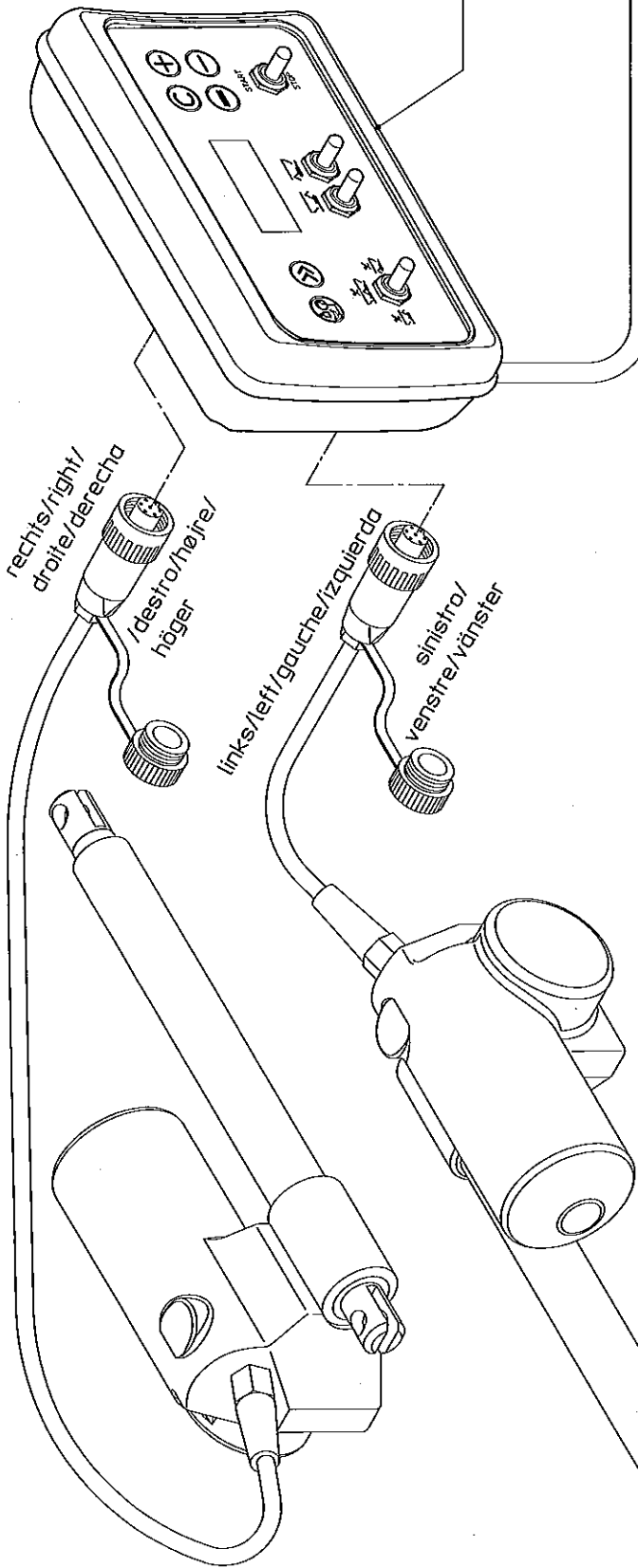
serial number 77152

D8

RS-M 1050/2050 (3)

rechts/right/
droite/derecha
/destra/højre/
höger

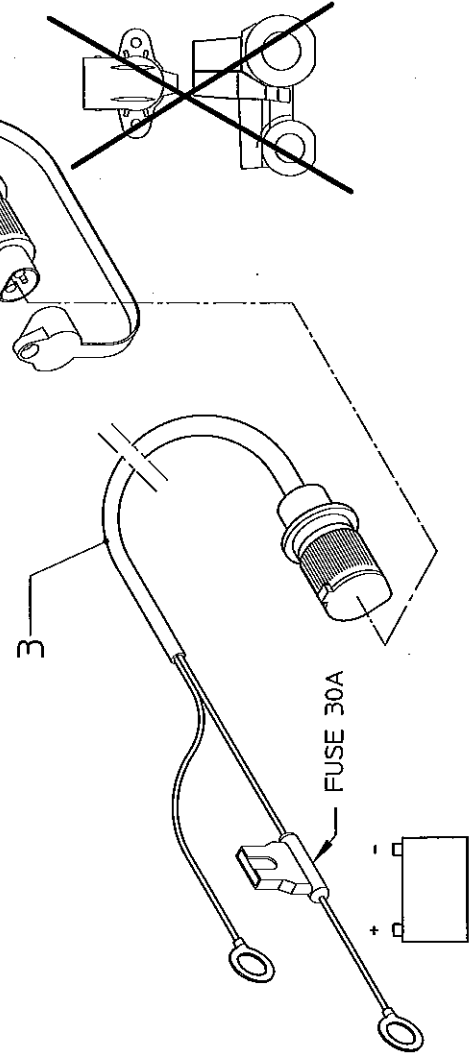
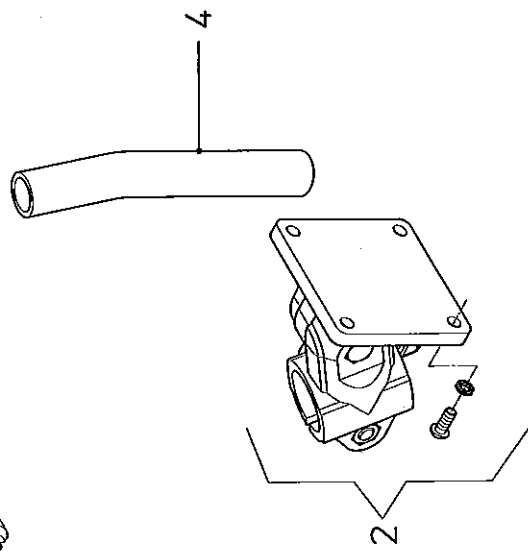
links/left/gauche/izquierda
venstre/vänster

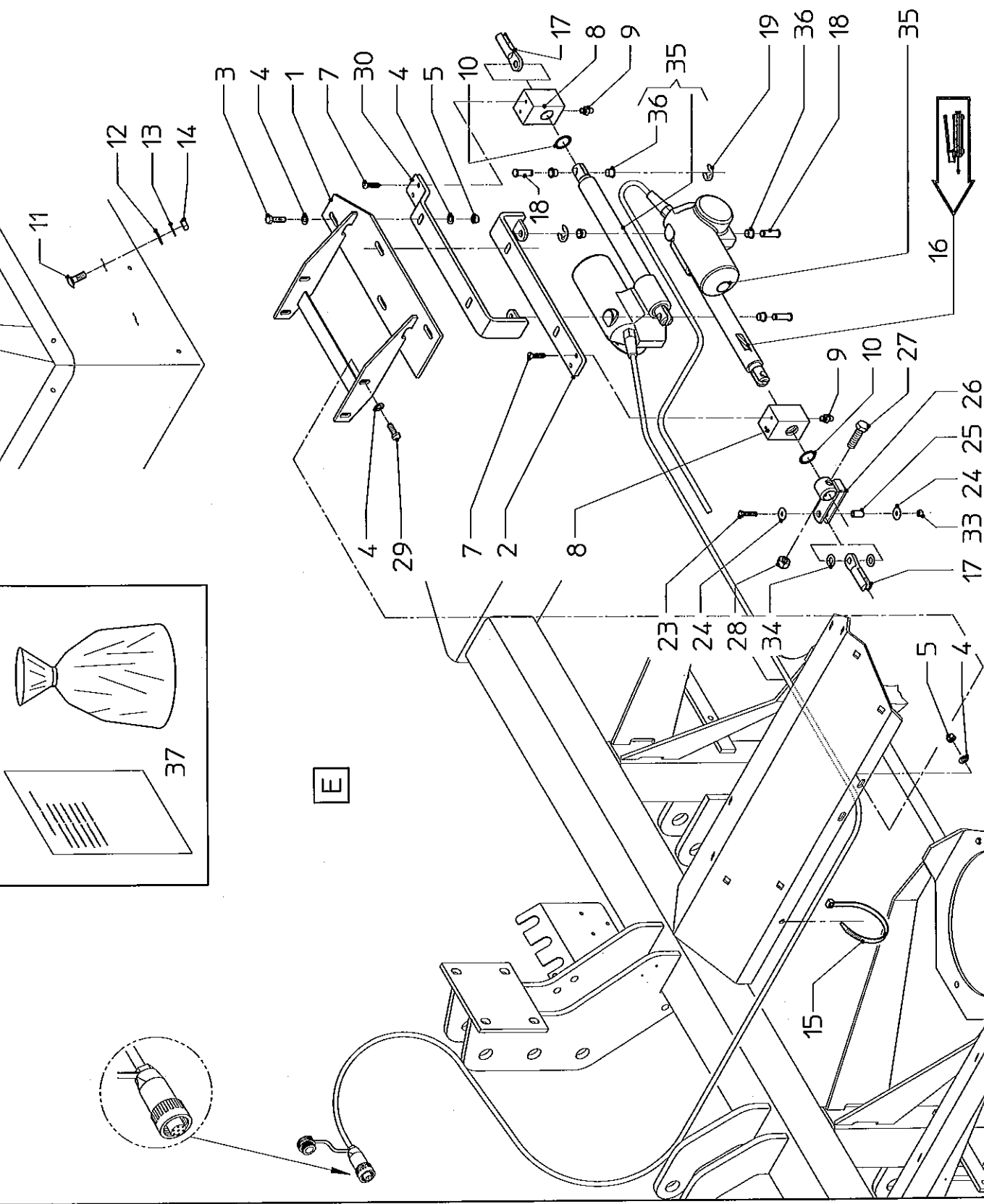


bestellnummer
ordernummer
num. o commander
Bestellnummer

| | | | |
|---|--------------|---|-------|
| 1 | VN79730420X1 | 1 | 4,5 m |
| 2 | VNB0563773 | 1 | |
| 3 | VNB0548173 | 1 | |
| 4 | VNB0374873 | 1 | |
| | VNB3872902 | 1 | |

E





bestelnummer
 ordernummer
 num. a commander
 Bestellnummer

| | | |
|----|--------------|----|
| 1 | VN79770281X1 | 1 |
| 2 | VNB1988886 | 1 |
| 3 | VNB3310986 | 1 |
| 4 | KG00497200 | 4 |
| 5 | KG01263900 | 16 |
| 7 | KG01069900 | 8 |
| 8 | KG00766200 | 4 |
| 9 | VNB1843478 | 2 |
| 10 | VNB30130800 | 2 |
| 11 | VNB36107317 | 2 |
| 12 | KG00654300 | 4 |
| 13 | VNB0163250 | 4 |
| 14 | VNB017100 | 4 |
| 15 | KG01053800 | 4 |
| 16 | VNB80504001 | 8 |
| 17 | VNB90090190 | 2 |
| 18 | VNB1843178 | 2 |
| 19 | VNB1843002 | 3 |
| 23 | VNB0116090 | 3 |
| 24 | KG00495400 | 1 |
| 25 | KG01257400 | 2 |
| 26 | VNB2007302 | 1 |
| 27 | VNB2007286 | 1 |
| 28 | KG00501200 | 1 |
| 29 | KG01070100 | 1 |
| 30 | KG00497100 | 4 |
| 33 | VNB331186 | 1 |
| 34 | KG01069800 | 1 |
| | KG01264000 | 2 |

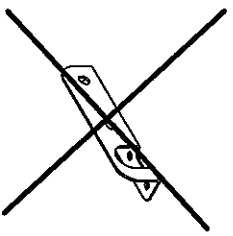
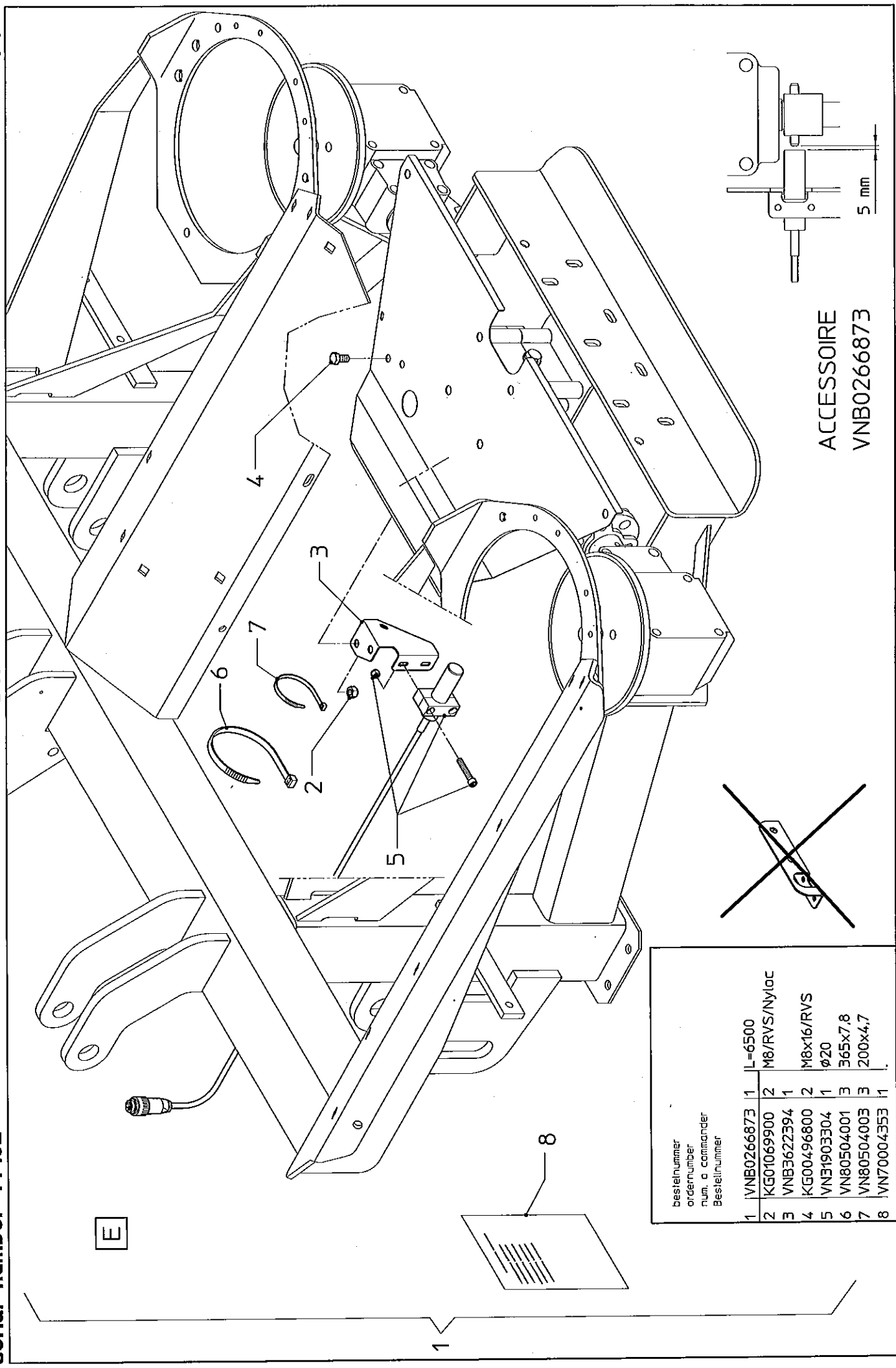
| | | |
|----|--------------|---|
| 35 | VN79730053X1 | 1 |
| 36 | VNB0548673 | 2 |
| 37 | VNB2235978 | 6 |
| | VNB0566173 | 1 |

repair kit actuat

RS-M 1050/2050 (3)

D10

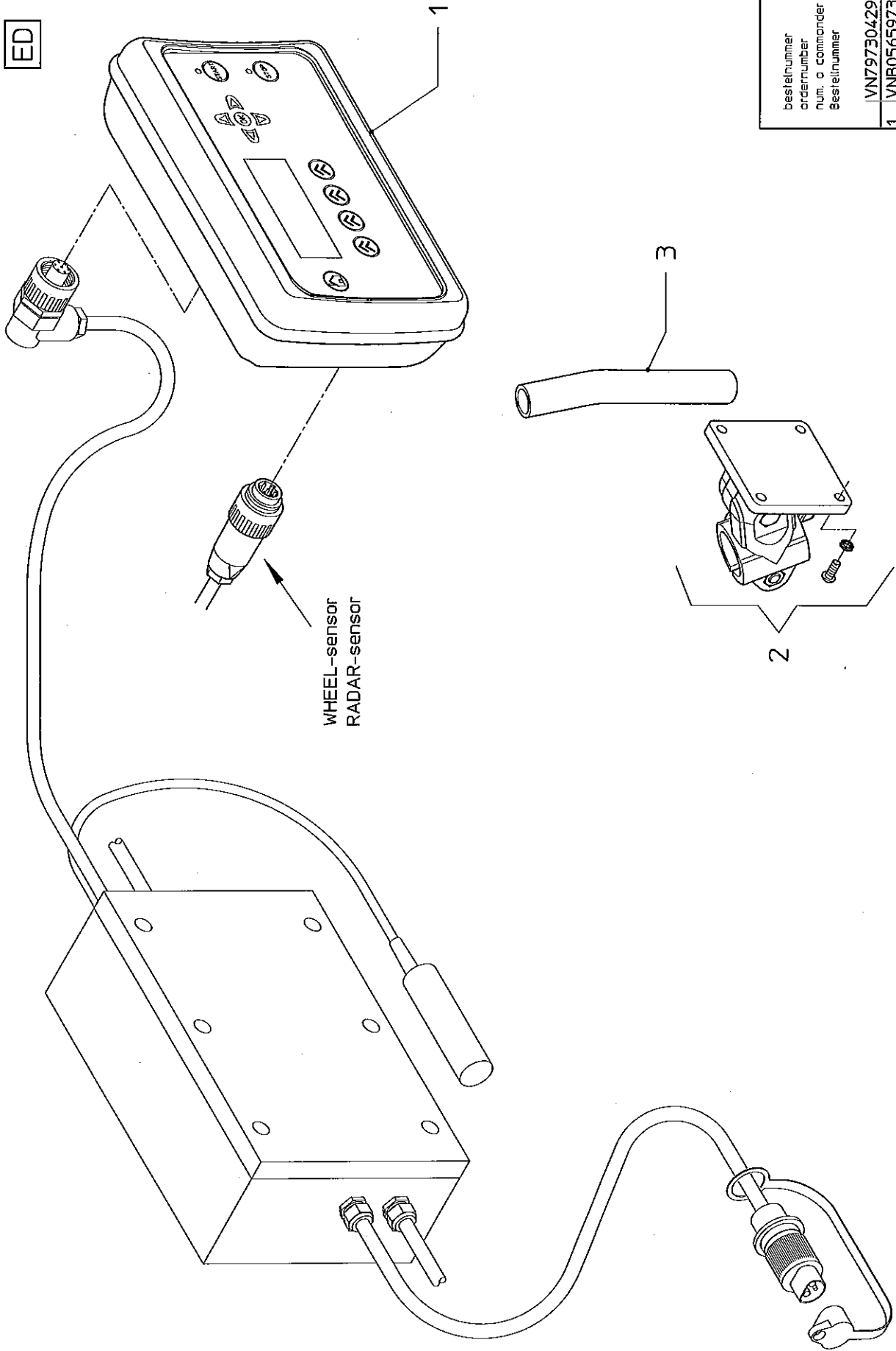
serial number 77152



| bestelnnummer ordernummer num. o commander Bestellnummer | | L=6500 |
|---|-------------|--------------|
| 1 | VNB0266873 | 1 |
| 2 | KG01069900 | M8/RVS/Nyloc |
| 3 | VNB3622394 | 1 |
| 4 | KG00496800 | M8x16/RVS |
| 5 | VNB1903304 | φ20 |
| 6 | VNB80504001 | 365x7,8 |
| 7 | VNB80504003 | 200x4,7 |
| 8 | VNB70004353 | 1 |

ACCESSOIRE
VNB0266873

ED



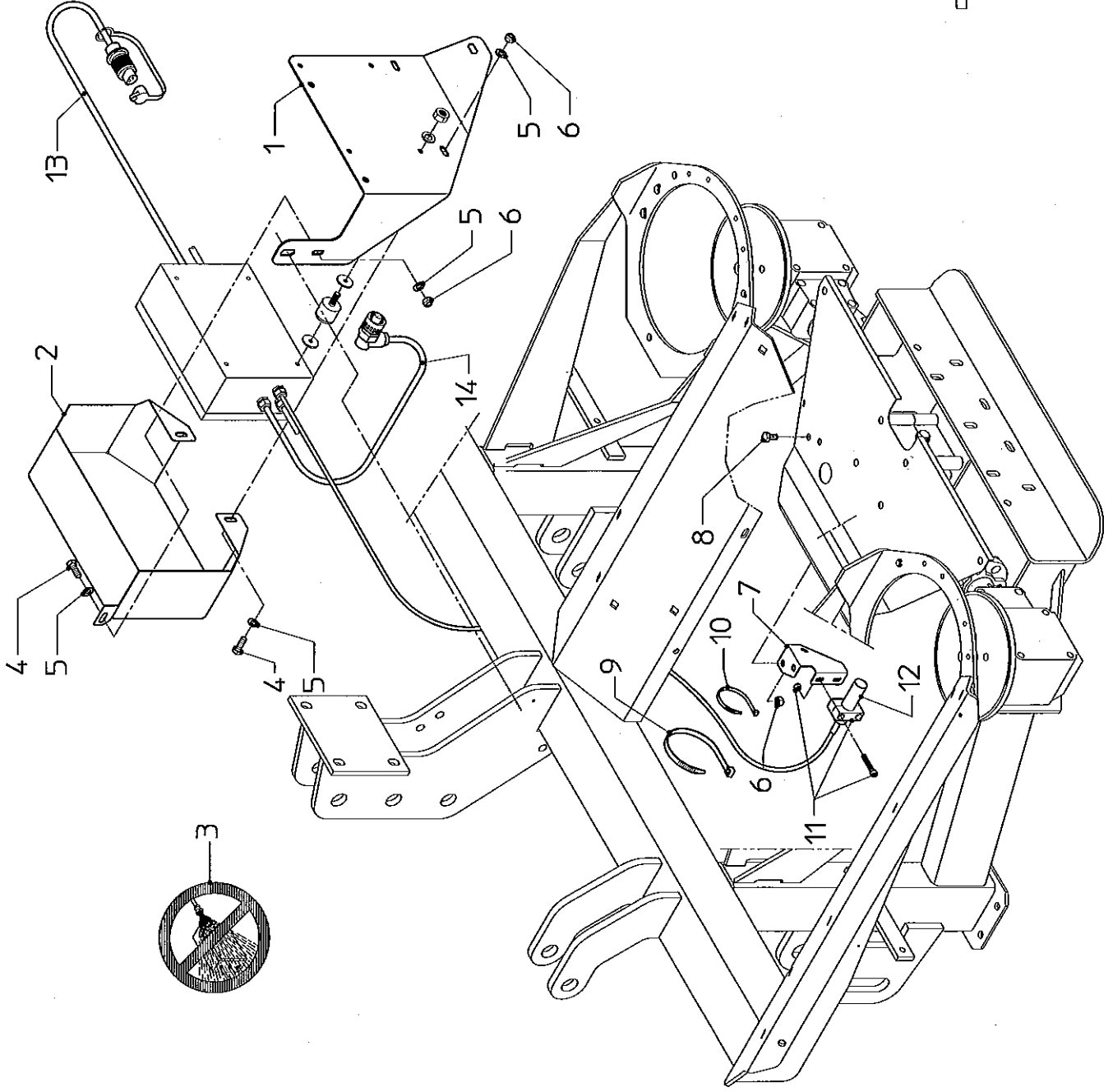
bestellnummer
ordernummer
num. o commander
Bestellnummer

| | | |
|---|---------------|---|
| | VN79730429X11 | |
| 1 | VNB0565973 | 1 |
| 2 | VNB0548173 | 1 |
| 3 | VNB3872902 | 1 |

serial number 77152

D12

RS-M 1050/2050 (3)



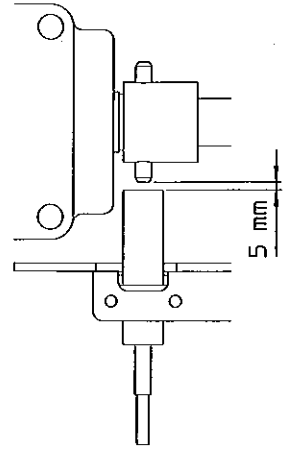
bestelnummer
ordernummer
num. a commander
Bestellnummer

| | | |
|----|-------------|---|
| | VN79770433X | 1 |
| 1 | VNB2723186 | 1 |
| 2 | VNB2588194 | 1 |
| 3 | VNB2426674 | 1 |
| 4 | KG00496900 | 3 |
| 5 | KG01263900 | 6 |
| 6 | KG01069900 | 5 |
| 7 | VNB3622394 | 1 |
| 8 | KG00496800 | 2 |
| 9 | VN80504001 | 3 |
| 10 | VN80504003 | 3 |

M8x20/RVS
8.4/RVS
M8/RVS/Nylac
M8x16/RVS
365x7,8
200x4,7

| | | |
|----|-------------|---|
| | VN79730427X | 1 |
| 11 | VNB1903304 | 1 |
| 12 | VNB0446473 | 1 |
| 13 | VNB0268173 | 1 |
| 14 | VNB0260173 | 1 |

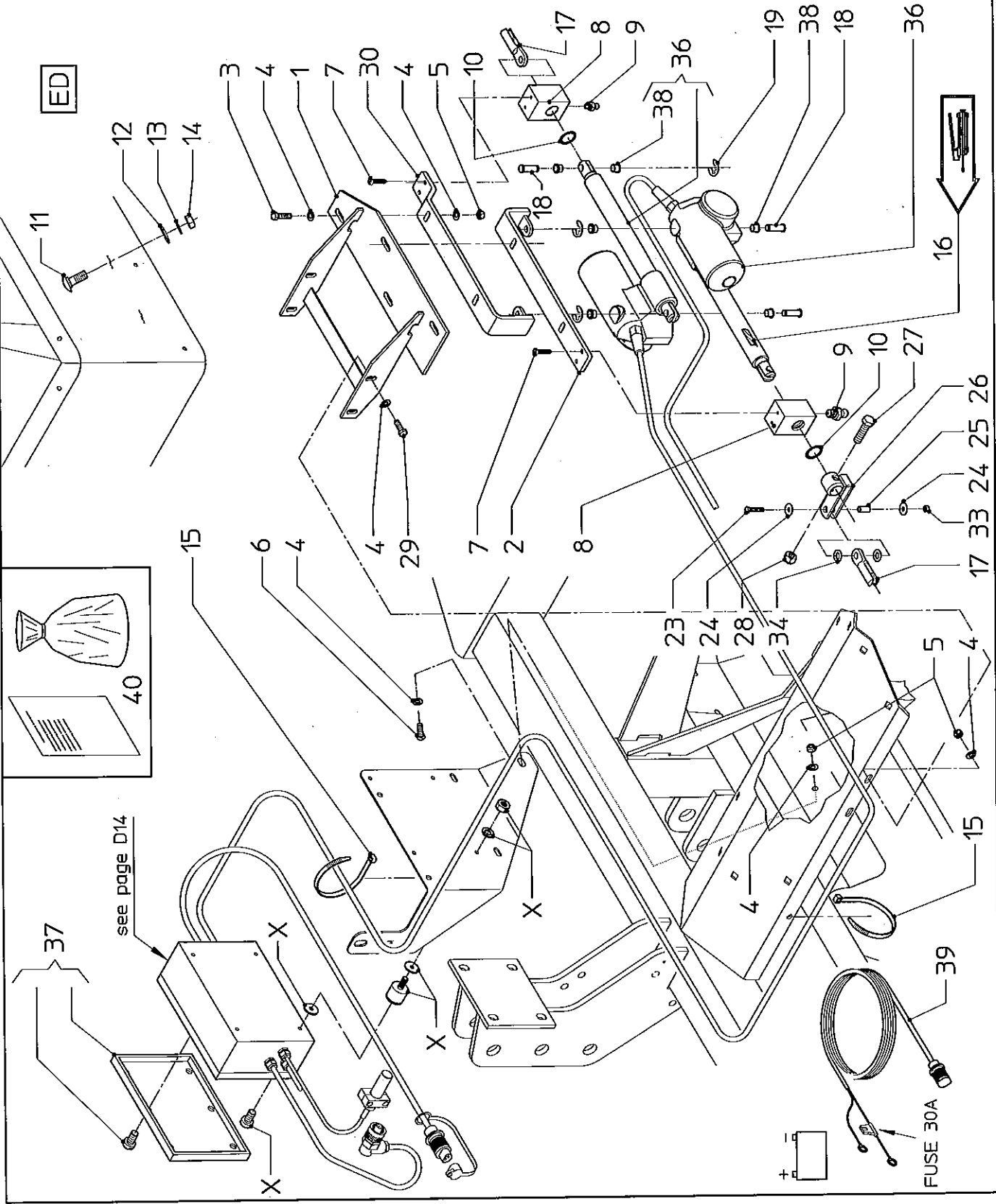
φ20
L=2000
L=6000
L=6000



RS-M 1050/2050 (3)

D13

serial number 77152

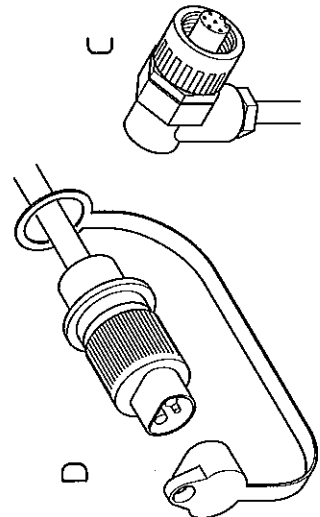
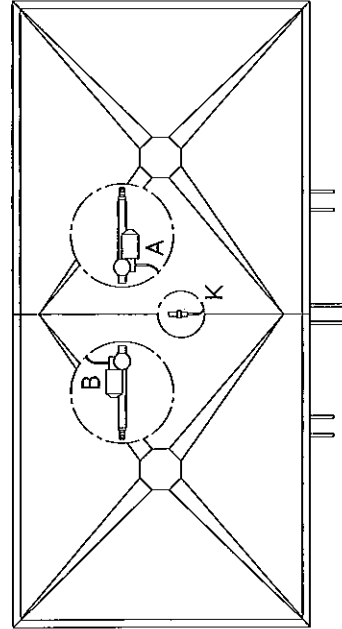
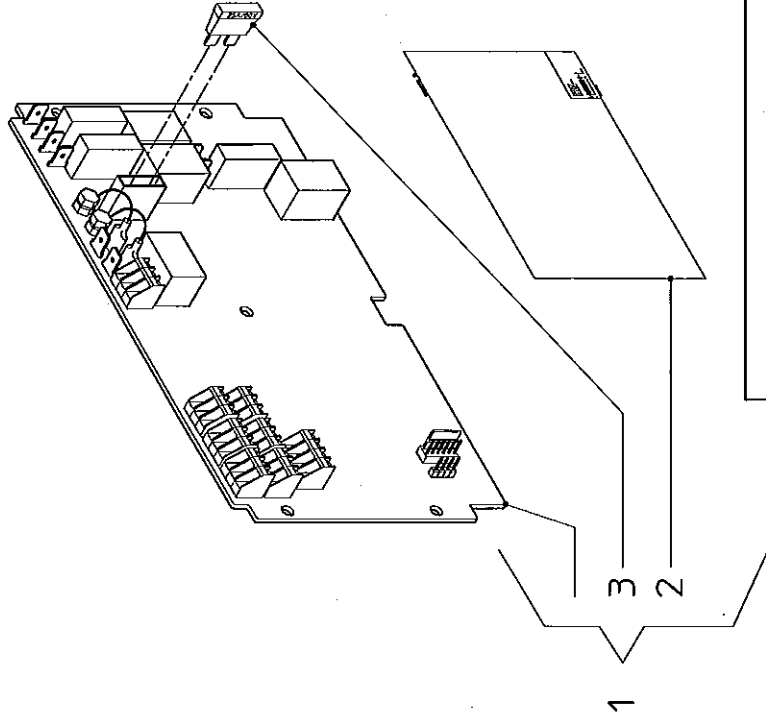
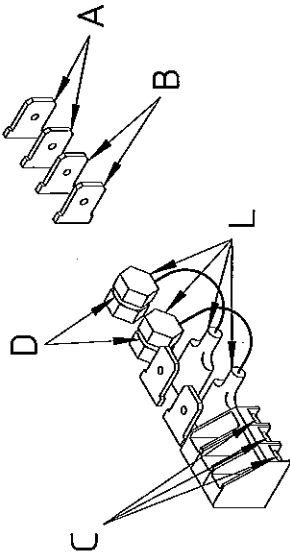
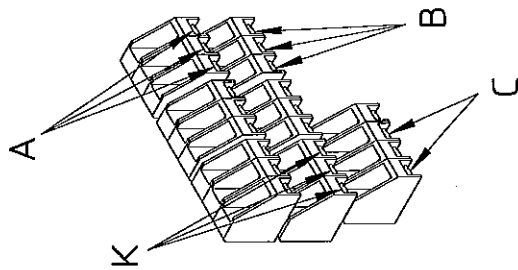
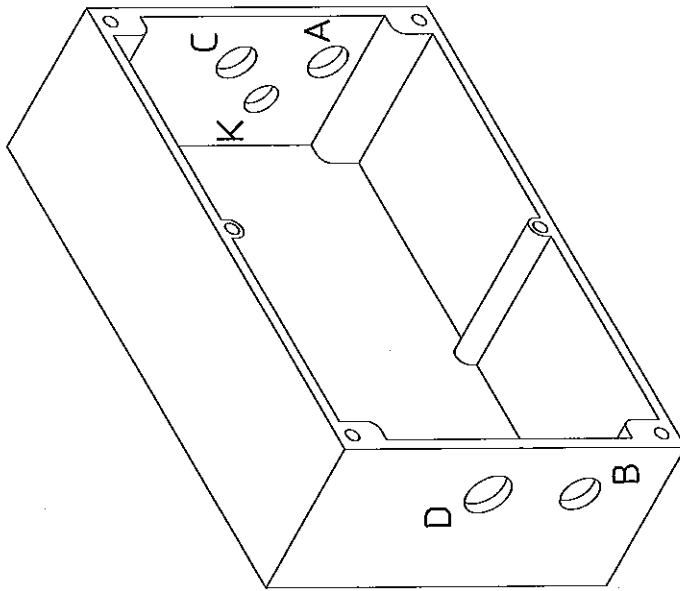


bestelnnummer
ordernummer
num. a commander
Bestellnummer

| | | |
|----|--------------|----|
| 1 | VN79770433X1 | |
| 2 | VNB1988886 | 1 |
| 3 | VNB3310986 | 1 |
| 4 | KG00497200 | 4 |
| 5 | KG01263900 | 18 |
| 6 | KG01069900 | 9 |
| 7 | KG00496900 | 1 |
| 8 | KG00766200 | 4 |
| 9 | VNB1843478 | 2 |
| 10 | VNB0130800 | 2 |
| 11 | VNB6107317 | 2 |
| 12 | KG00654300 | 4 |
| 13 | VNB0163250 | 4 |
| 14 | VNB0117100 | 4 |
| 15 | KG01053800 | 4 |
| 16 | VNB80504001 | 8 |
| 17 | VN90090190 | 2 |
| 18 | VNB1843178 | 2 |
| 19 | VNB1843002 | 3 |
| 20 | VNB0116090 | 3 |
| 21 | VNB0116090 | 3 |
| 22 | KG00495400 | 1 |
| 23 | KG01257400 | 2 |
| 24 | KG01257400 | 2 |
| 25 | VNB2007302 | 1 |
| 26 | VNB2007286 | 1 |
| 27 | KG00501200 | 1 |
| 28 | KG01070100 | 1 |
| 29 | KG00497100 | 4 |
| 30 | VNB3311186 | 1 |
| 31 | VNB3311186 | 1 |
| 32 | KG01069800 | 1 |
| 33 | KG01069800 | 1 |
| 34 | KG01264000 | 2 |

| | | |
|----|------------|----|
| 36 | VNB0563573 | 2 |
| 37 | VNB0489473 | 1 |
| 38 | VNB2235978 | 16 |
| 39 | VNB0374873 | 1 |
| 40 | VNB0566173 | 1 |
| X | VNB2559578 | 4 |

4,5 m
repair kit actual



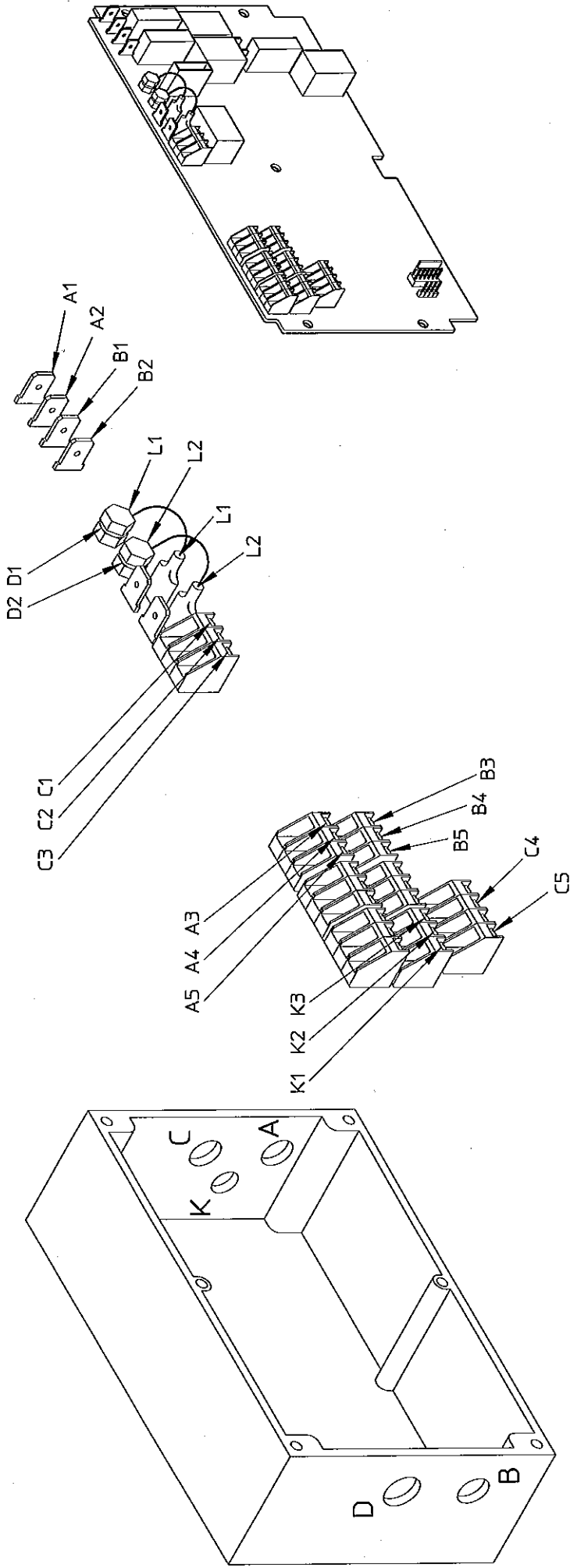
bestellnummer
 ordernummer
 num. a commander
 Bestellnummer

| | | |
|---|-------------|-------|
| 1 | VN79730.450 | 1 |
| 2 | VN70009784 | 1 |
| 3 | VNB0064273 | 1 25A |

serial number 77152

D15

RS-M 1050/2050 (3)



| KLEUR | | COLOR | | KABEL CABLE CABLE CAVO | | FARBE | COULEUR | COLOR | COLORE | FARVE | FÄRIG |
|-------------------|---------------------|---------|--------------------|---------------------------------|-----------------------|---------------------|--------------------|-----------------------|-----------------------|-------------------|------------------|
| geel+rood | yellow+red | A1 & B1 | jaune+rouge | amarillo+rojo | giallo+rosso | gelb+rot | jaune+rouge | amarillo+rojo | giallo+rosso | gul+röd | gul+röd |
| wit(orange)+groen | white(orange)+green | A2 & B2 | blanc(orange)+vert | blanco(naranja)+verde | bianco(arancia)+verde | weiss(orange)+gruen | blanc(orange)+vert | blanco(naranja)+verde | bianco(arancia)+verde | hvid(orange)+grøn | vif(orange)+grøn |
| bruin | brown | A3 & B3 | brun | maron | marrone | braun | brun | maron | marrone | brun | brun |
| blauw | blue | A4 & B4 | bleu | azul | azzurro | blau | bleu | azul | azzurro | blå | blå |
| zwart | black | A5 & B5 | noir | negro | nero | schwarz | noir | negro | nero | svart | svart |
| zwart | black | C1 | noir | negro | nero | schwarz | noir | negro | nero | svart | svart |
| groen | green | C2 | vert | verde | verde | gruen | vert | verde | verde | grøn | grøn |
| oranje | orange | C3 | orange | naranja | arancia | orange | orange | naranja | arancia | orange | orange |
| geel | yellow | C4 | jaune | amarillo | giallo | gelb | jaune | amarillo | giallo | gul | gul |
| blauw | blue | C5 | bleu | azul | azzurro | blau | bleu | azul | azzurro | blå | blå |
| bruin | brown | D1 | brun | maron | marrone | braun | brun | maron | marrone | brun | brun |
| blauw | blue | D2 | bleu | azul | azzurro | blau | bleu | azul | azzurro | blå | blå |
| blauw | blue | K1 | bleu | azul | azzurro | blau | bleu | azul | azzurro | blå | blå |
| zwart | black | K2 | noir | negro | nero | schwarz | noir | negro | nero | svart | svart |
| bruin | brown | K3 | brun | maron | marrone | braun | brun | maron | marrone | brun | brun |
| rood | red | L1 | rouge | rojo | rosso | rot | rouge | rojo | rosso | röd | röd |
| zwart | black | L2 | noir | negro | nero | schwarz | noir | negro | nero | svart | svart |

serial number 77152

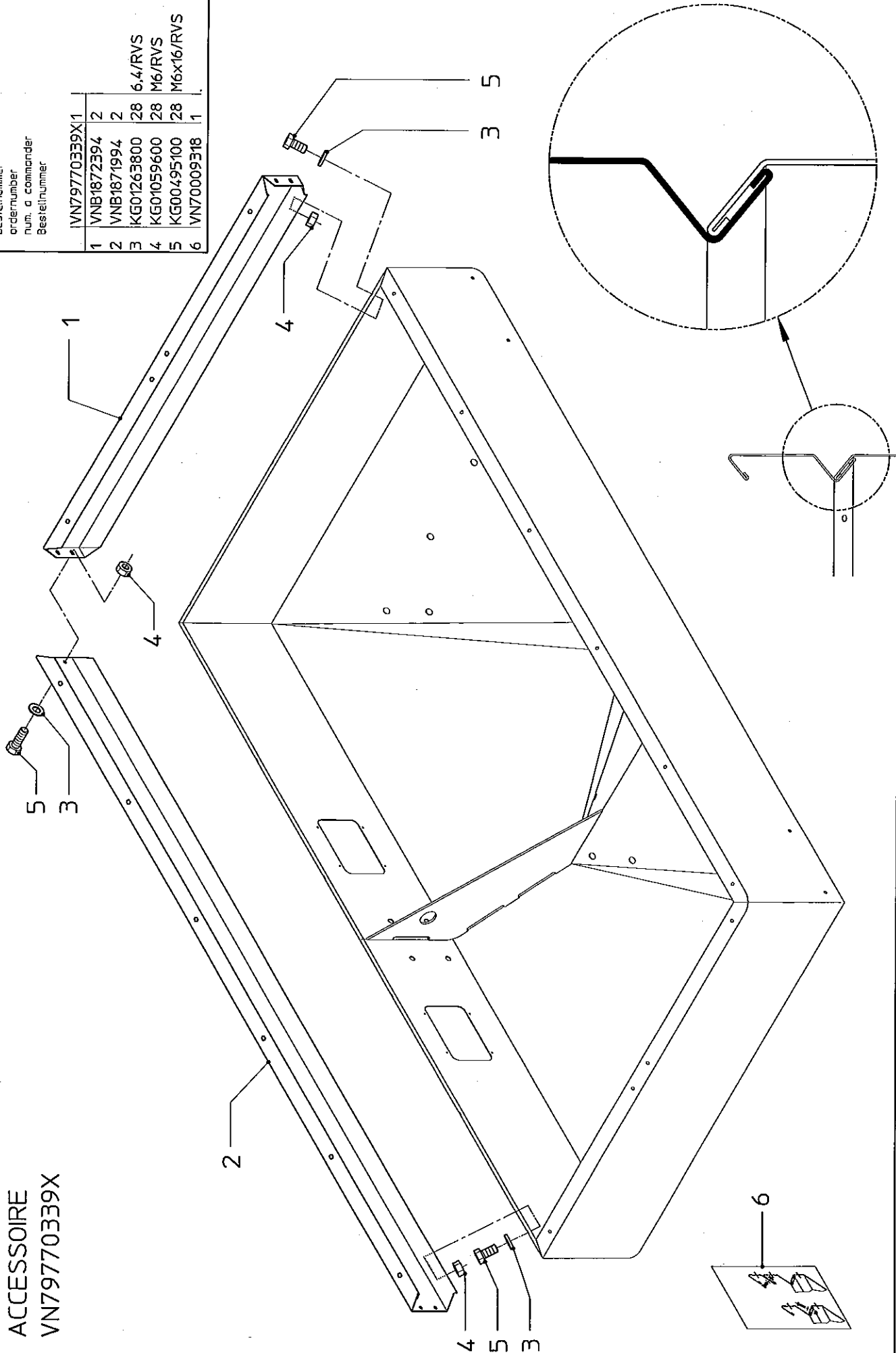
D16

RS-M 1350 (3)

ACCESSOIRE
VN79770339X

bestelnnummer
ordernummer
num. o commander
Bestellnummer

| | | | |
|---|--------------|----|-----------|
| | VN79770339X1 | | |
| 1 | VNB1872394 | 2 | |
| 2 | VNB1871994 | 2 | |
| 3 | KG01263800 | 28 | 6.4/RVS |
| 4 | KG01059600 | 28 | M6/RVS |
| 5 | KG00495100 | 28 | M6x16/RVS |
| 6 | VN70009318 | 1 | |



serial number 77152

E1

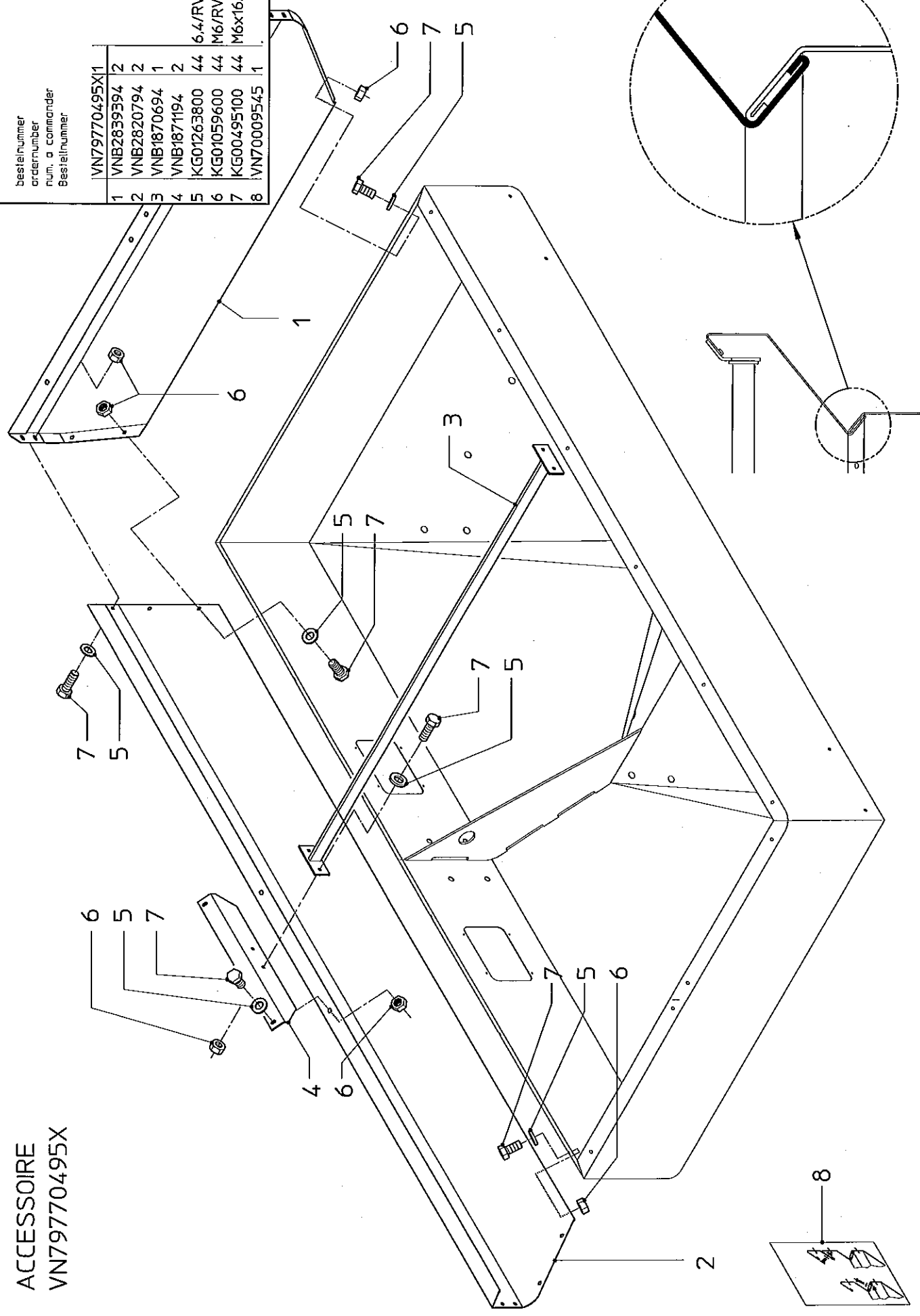
RS-M 1700 (3)

ACCESSOIRE
VN79770495X

bestelnummer
ordernumber
num. a commander
Bestellnummer

| | | |
|---|-------------|----|
| 1 | VN79770495X | 1 |
| 2 | VNB2839394 | 2 |
| 3 | VNB2820794 | 2 |
| 4 | VNB1870694 | 1 |
| 5 | VNB1871194 | 2 |
| 6 | KG01263800 | 44 |
| 7 | KG01059600 | 44 |
| 8 | KG00495100 | 44 |
| | VN70009545 | 1 |

6.4/RVS
M6/RVS
M6x16/RVS



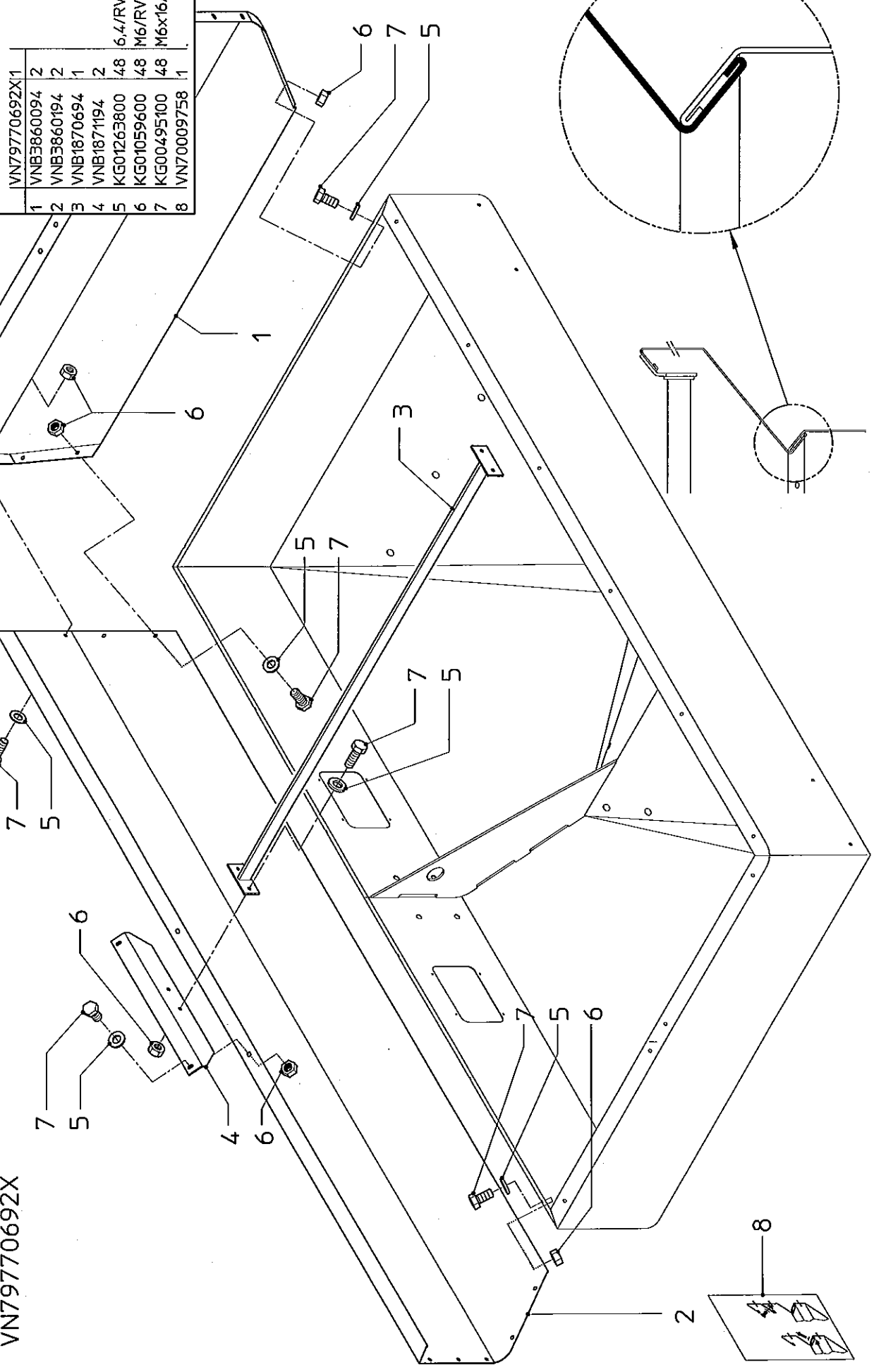
serial number 77152

E2

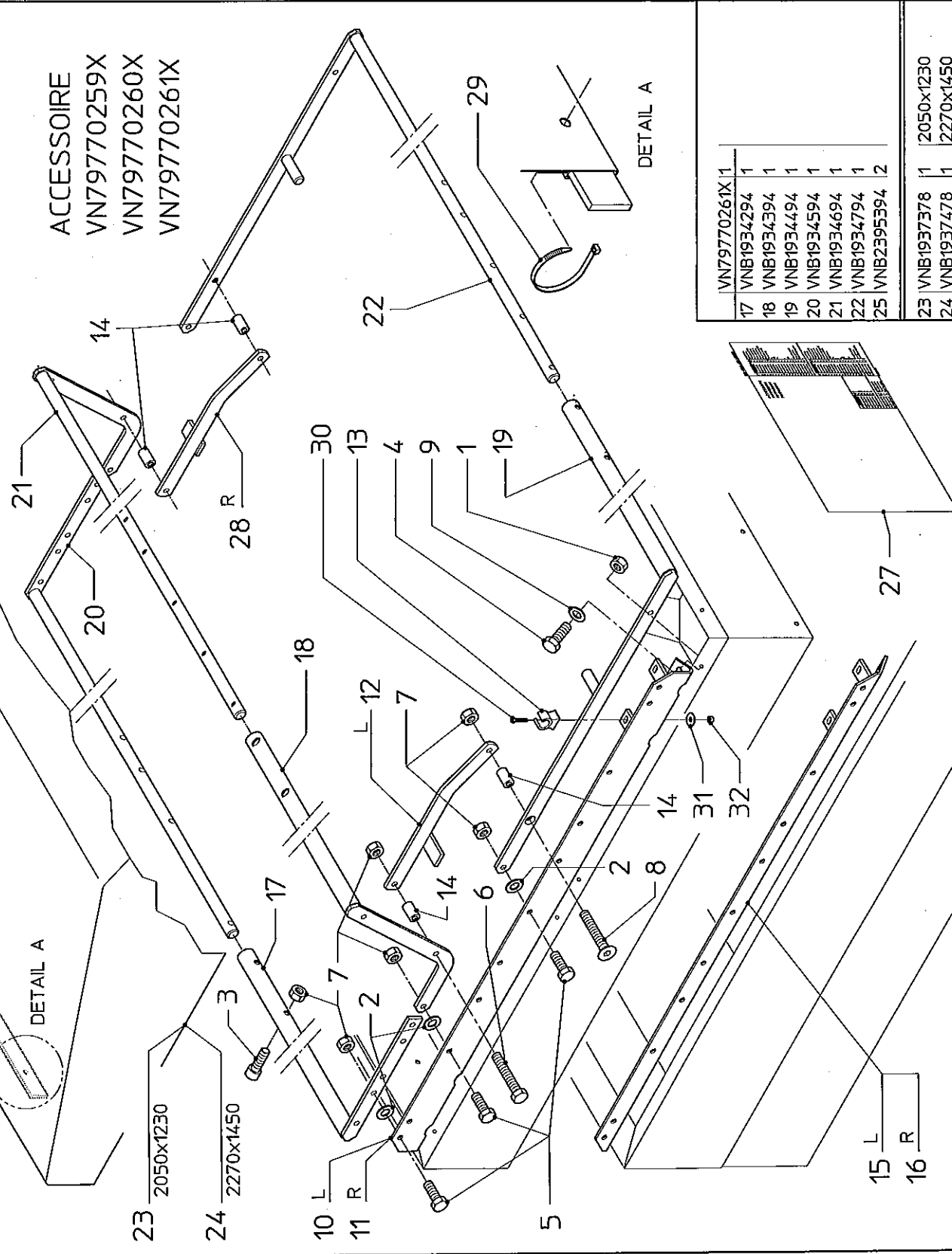
RS-M 2050 (3)

ACCESSOIRE
VN79770692X

| | |
|------------------|---------------|
| bestellnummer | VN79770692X1 |
| ordernummer | VNB3860094 2 |
| num. a commander | VNB3860194 2 |
| Bestellnummer | VNB1870694 1 |
| | VNB1871194 2 |
| | KG01263800 48 |
| | KG01059600 48 |
| | KG00495100 48 |
| | 6.4/RVS |
| | M6/RVS |
| | M6x16/RVS |
| | VN70009758 1 |



L =links/left/gauche/izquierda/sinistra/venstre/vänster
 R =rechts/right/droite/derecha/desira/højre/höger



ACCESSOIRE
 VN79770259X
 VN79770260X
 VN79770261X

| | | | | |
|--------------|----|-------------|----|--------------|
| VN79770259X1 | 1 | KG01059600 | 8 | M6/RVS |
| | 2 | KG01263900 | 8 | 8.4/RVS |
| | 3 | KG00565700 | 6 | M8x35/RVS |
| | 4 | KG00495100 | 8 | M6x16/RVS |
| | 5 | KG00497100 | 8 | M8x25/RVS |
| | 6 | KG00497600 | 2 | M8x50/RVS |
| | 7 | KG01069900 | 18 | M8/RVS/Nyloc |
| | 8 | KG00872200 | 2 | M8x50/RVS |
| | 9 | KG01263800 | 8 | 6.4/RVS |
| | 10 | VNB1933894 | 1 | L |
| | 11 | VNB1933994 | 1 | R |
| | 12 | VNB1934894 | 1 | L |
| | 13 | VNB1935578 | 2 | R |
| | 14 | VNB1936602 | 4 | L |
| | 17 | VN70009280 | 1 | R |
| | 27 | VNB2084694 | 1 | M4x20/RVS |
| | 28 | VNB8504003 | 4 | A4.3/RVS |
| | 29 | KG00712600 | 2 | M4/RVS/Nyloc |
| | 30 | VNB30163400 | 2 | M4/RVS/Nyloc |
| | 31 | KG01069600 | 2 | M4/RVS/Nyloc |
| | 32 | | | |

| | | | | |
|--------------|----|-------------|----|--------------|
| VN79770260X1 | 1 | KG01059600 | 8 | M6/RVS |
| | 2 | KG01263900 | 8 | 8.4/RVS |
| | 3 | KG00565700 | 6 | M8x35/RVS |
| | 4 | KG00495100 | 8 | M6x16/RVS |
| | 5 | KG00497100 | 8 | M8x25/RVS |
| | 6 | KG00497600 | 2 | M8x50/RVS |
| | 7 | KG01069900 | 18 | M8/RVS/Nyloc |
| | 8 | KG00872200 | 2 | M8x50/RVS |
| | 9 | KG01263800 | 8 | 6.4/RVS |
| | 12 | VNB1934894 | 1 | L |
| | 13 | VNB1935578 | 2 | R |
| | 14 | VNB1936602 | 4 | L |
| | 15 | VNB1934094 | 1 | L |
| | 16 | VNB1934194 | 1 | R |
| | 27 | VN70009280 | 1 | R |
| | 28 | VNB2084694 | 1 | M4x20/RVS |
| | 29 | VNB8504003 | 4 | A4.3/RVS |
| | 30 | KG00712600 | 2 | M4/RVS/Nyloc |
| | 31 | VNB30163400 | 2 | M4/RVS/Nyloc |
| | 32 | KG01069600 | 2 | M4/RVS/Nyloc |

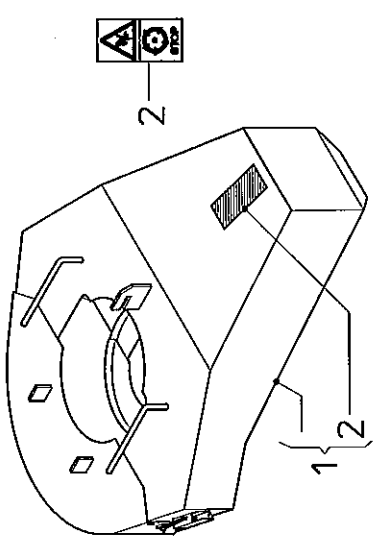
| | | | |
|--------------|----|------------|---|
| VN79770261X1 | 17 | VNB1934294 | 1 |
| | 18 | VNB1934394 | 1 |
| | 19 | VNB1934494 | 1 |
| | 20 | VNB1934594 | 1 |
| | 21 | VNB1934694 | 1 |
| | 22 | VNB1934794 | 1 |
| | 25 | VNB2395394 | 2 |

| | | | |
|----|------------|---|-----------|
| 23 | VNB1937378 | 1 | 2050x1230 |
| 24 | VNB1937478 | 1 | 2270x1450 |

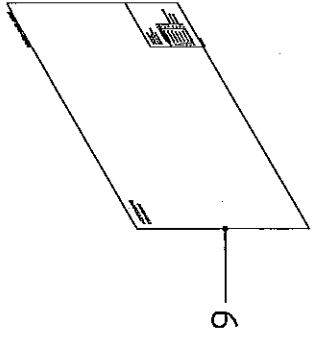
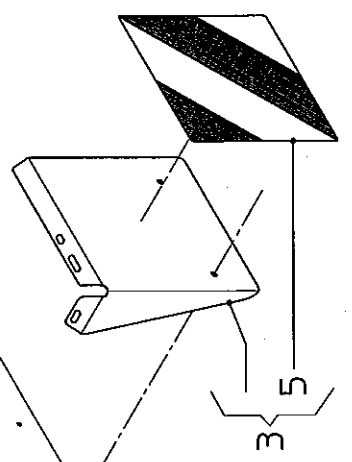
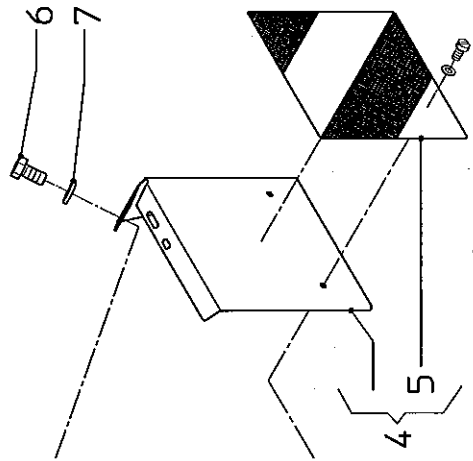
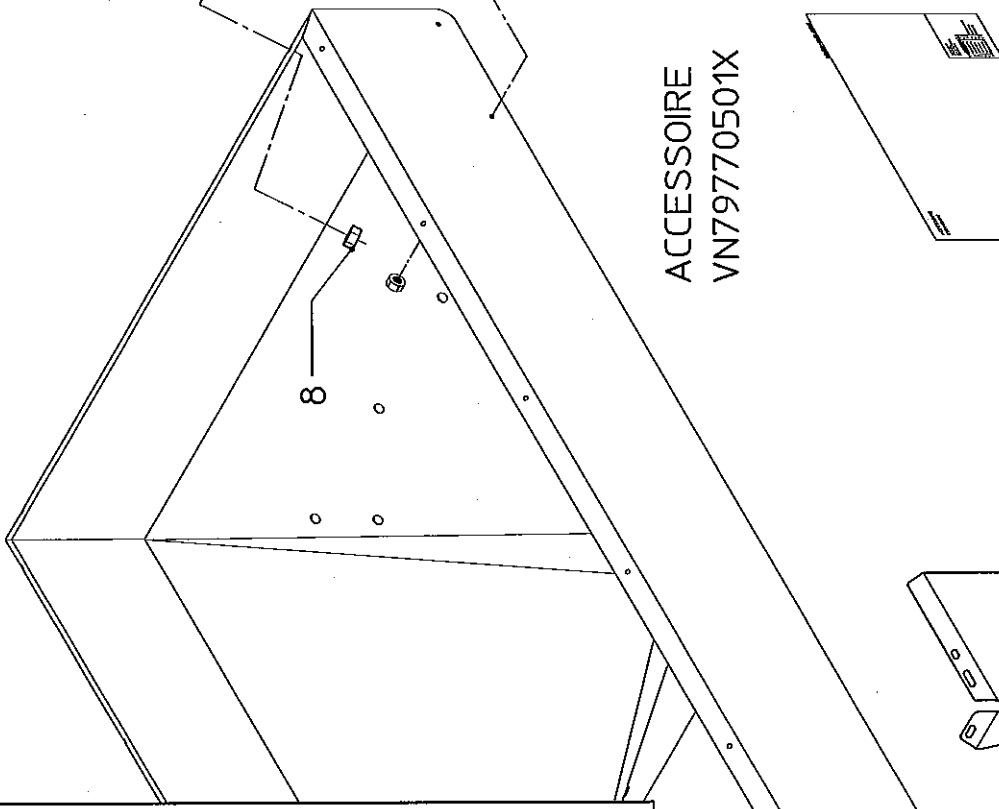
bestelnummer
 ordernumber
 num. a commander
 Bestellnummer

| | | | |
|---|------------|---|---|
| 1 | VNB1885578 | 1 | 1 |
| 2 | VGTR2023 | 1 | 1 |

ACCESSOIRE



ACCESSOIRE
 VN79770501X



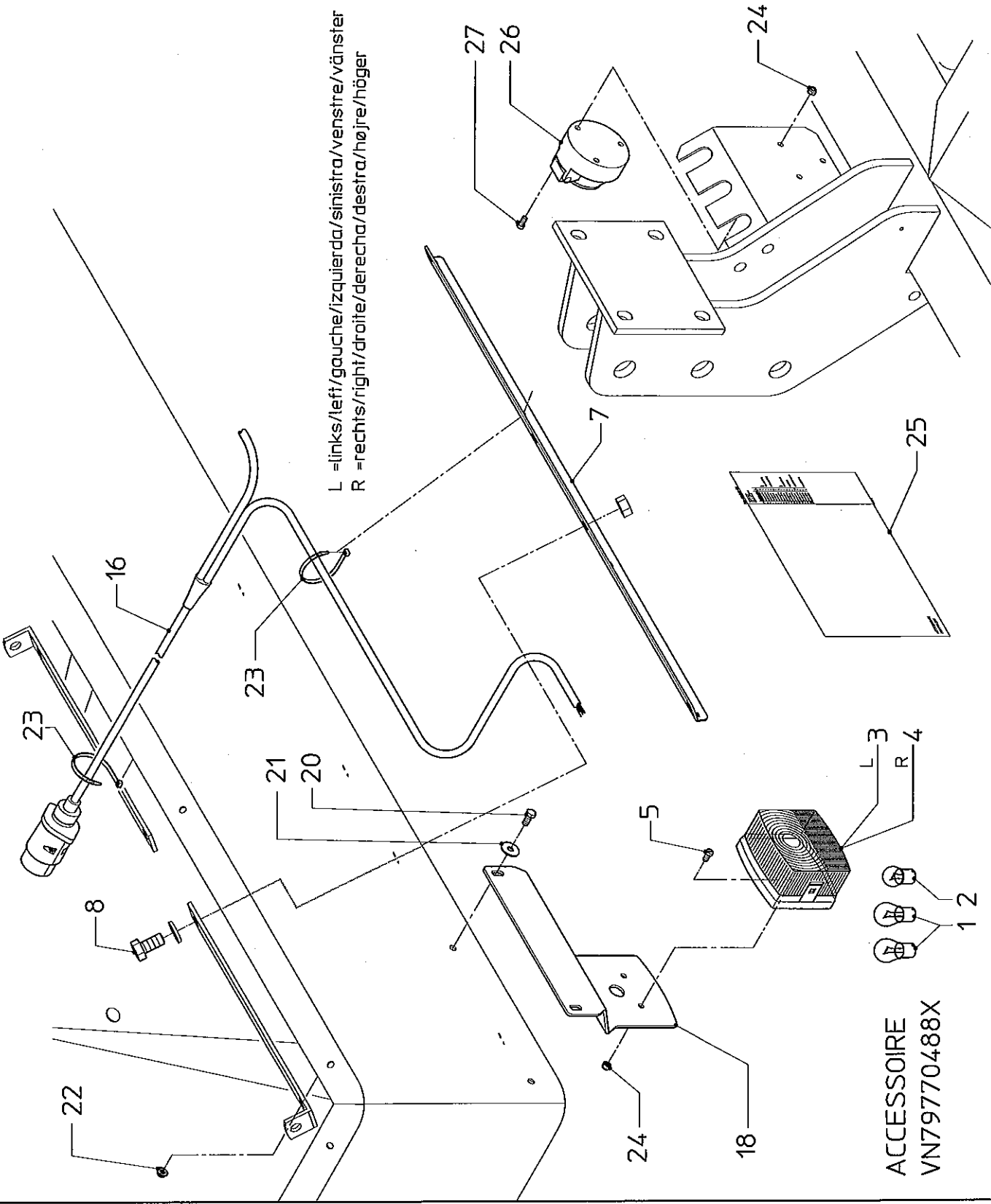
bestelnummer
 ordernumber
 num. a commander
 Bestellnummer

| | | | |
|-------------|---|-----------|--|
| VN79770501X | 1 | | |
| VNB2843778 | 1 | | |
| VNB2843878 | 1 | | |
| VNB2022474 | 2 | | |
| KG00495200 | 4 | M6x20/RVS | |
| KG01257400 | 4 | A6.4/RVS | |
| KG01059600 | 4 | M6/RVS | |
| VN70009554 | 1 | | |

serial number 77152

E5

RS-M 1050/2050 (3)

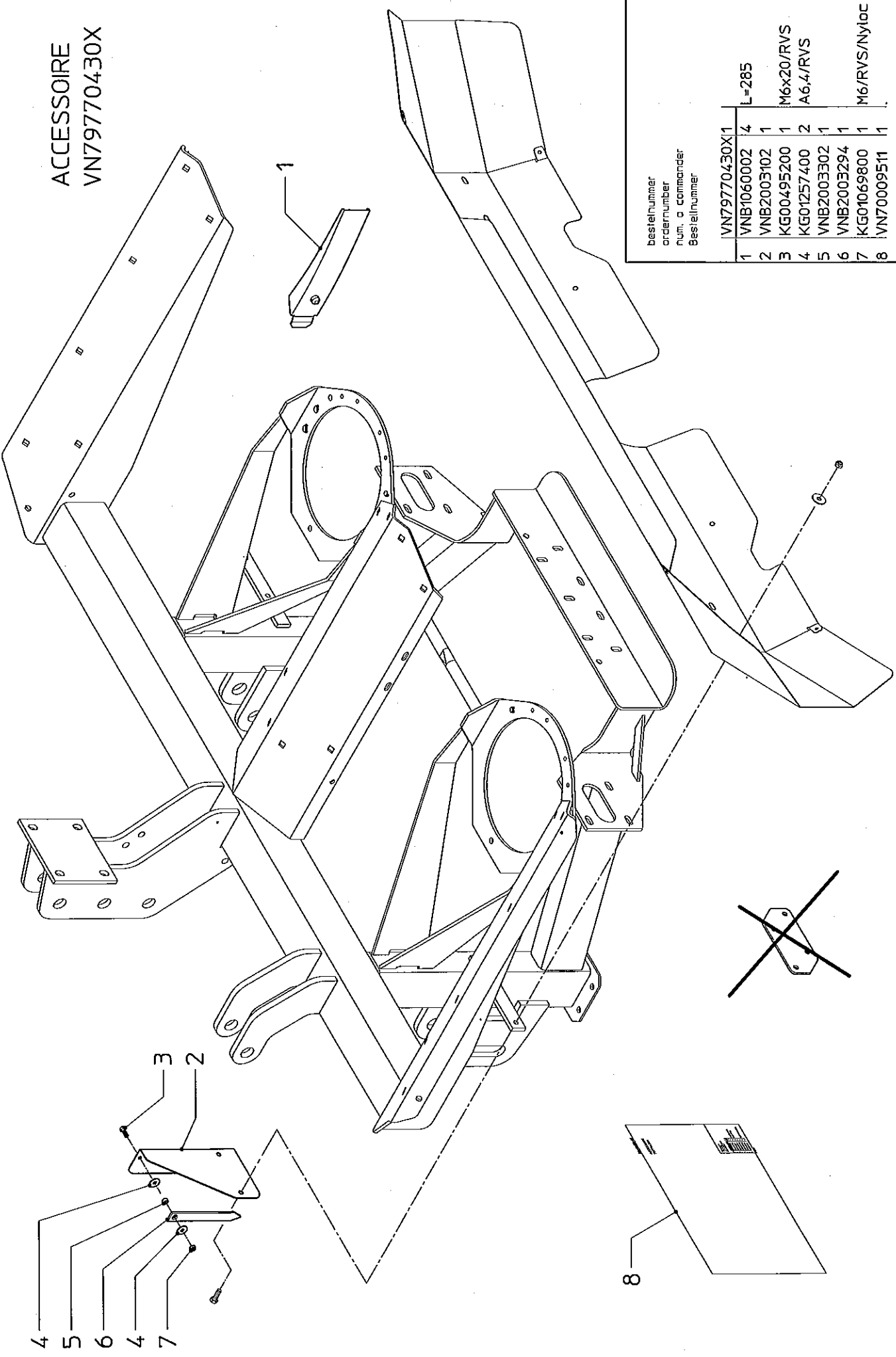


bestellnummer
 ordernummer
 num. a commander
 Bestellnummer

| | | | |
|--------------|----|------------|----|
| VN79770488X1 | 1 | VN48523002 | 4 |
| | 2 | VN48523001 | 2 |
| | 3 | VN48520009 | 1 |
| | 4 | VN48520005 | 1 |
| | 5 | KG00713700 | 4 |
| | 7 | VNB2722194 | 2 |
| | 8 | KG00498700 | 8 |
| | 16 | VNB1896878 | 1 |
| | 18 | VNB3922994 | 2 |
| | 20 | KG00715100 | 4 |
| | 21 | KG01257400 | 4 |
| | 22 | KG01059600 | 4 |
| | 23 | VN80504003 | 12 |
| | 24 | KG01069700 | 7 |
| | 25 | VN70009542 | 1 |
| | 26 | VNB0341273 | 1 |
| | 27 | KG00714100 | 3 |

ACCESSOIRE
 VN79770488X

ACCESSOIRE
VN79770430X



Bestelnummer
ordernummer
num. o commander
Bestelnummer

| | | |
|--------------|-------|--------------|
| VN79770430X1 | L=285 | |
| 1 VNB1060002 | 4 | |
| 2 VNB2003102 | 1 | M6x20/RVS |
| 3 KGO0495200 | 1 | A6.4/RVS |
| 4 KGO1257400 | 2 | |
| 5 VNB2003302 | 1 | |
| 6 VNB2003294 | 1 | |
| 7 KGO1069800 | 1 | M6/RVS/Nyloc |
| 8 VN70009511 | 1 | |

serial number 77152

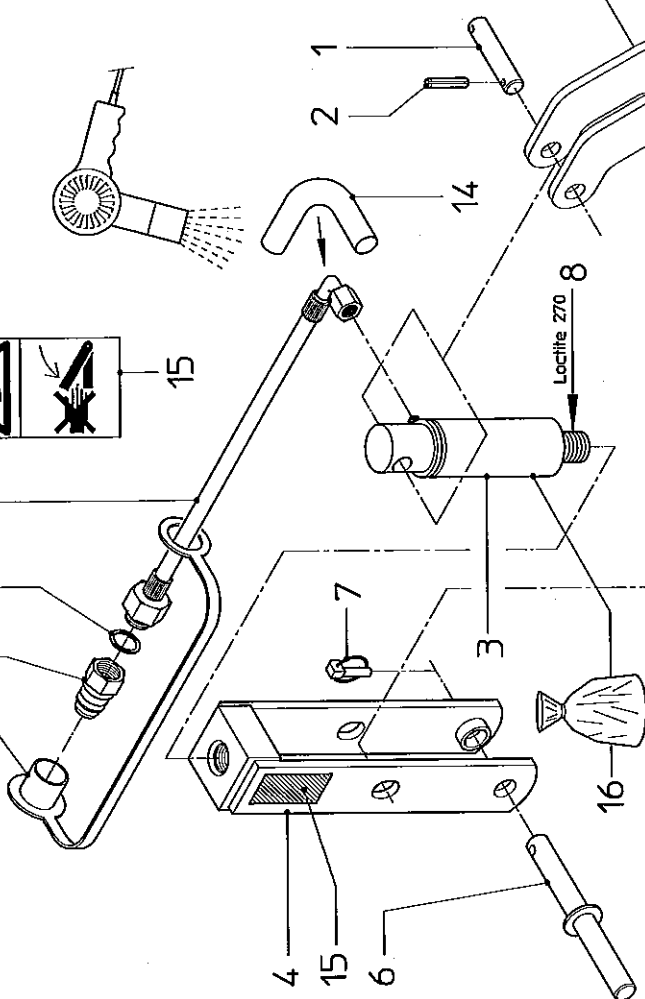
E7

RS-M 1050/2050 (3)

ACCESSOIRE
VN79770401X

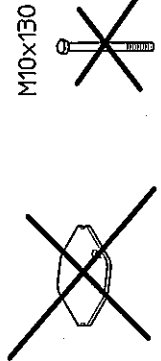


12 11 10 9



bestelnnummer
ordernummer
num. a commander
Bestellnummer

| | | |
|----|-------------|---|
| 1 | VN79770401X | 1 |
| 2 | VNB1608494 | 1 |
| 3 | KG01204300 | 2 |
| 4 | VNB2498994 | 1 |
| 5 | VNB2705594 | 1 |
| 6 | VNB1599894 | 1 |
| 7 | VNB0765193 | 1 |
| 8 | Loctite 270 | |
| 9 | VNB0835278 | 1 |
| 10 | VN31419201 | 1 |
| 11 | VN38854081 | 1 |
| 12 | VN38854581 | 1 |
| 13 | VN70009499 | 1 |
| 14 | VNB1504678 | 1 |
| 15 | VGTR2059 | 1 |
| 16 | VNB0835678 | 1 |
| | 8x40/RVS | |
| | Loctite 270 | |
| | 1/4"-2000mm | |
| | 21x26x1,5 | |
| | 1/2" | |
| | 1/2" | |
| | L=140mm | |
| | sealkit | |



M10x130

bestelnnummer
ordernummer
num. a commander
Bestellnummer

| | | |
|----|--------------|----|
| 17 | VN79770487X1 | 1 |
| 18 | VN70009543 | 1 |
| 19 | VNB2836494 | 1 |
| 20 | VNB2836894 | 1 |
| 21 | VNB2836994 | 1 |
| 22 | VN17856588 | 1 |
| | KG00654400 | 12 |
| | M10x25/RVS | |

ACCESSOIRE
VN79770487X

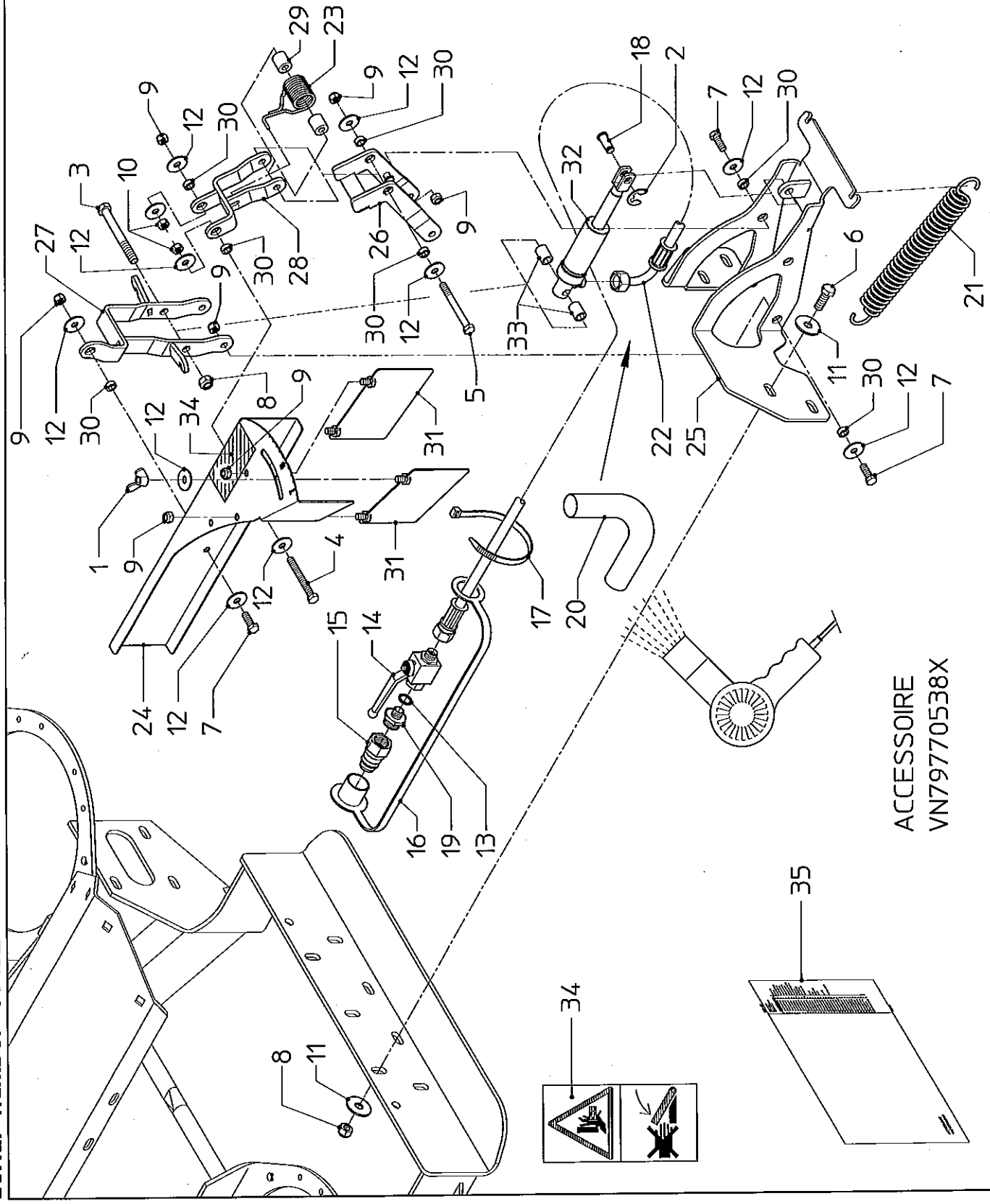
RS-M 1050/2050 (3)

E8

serial number 77152

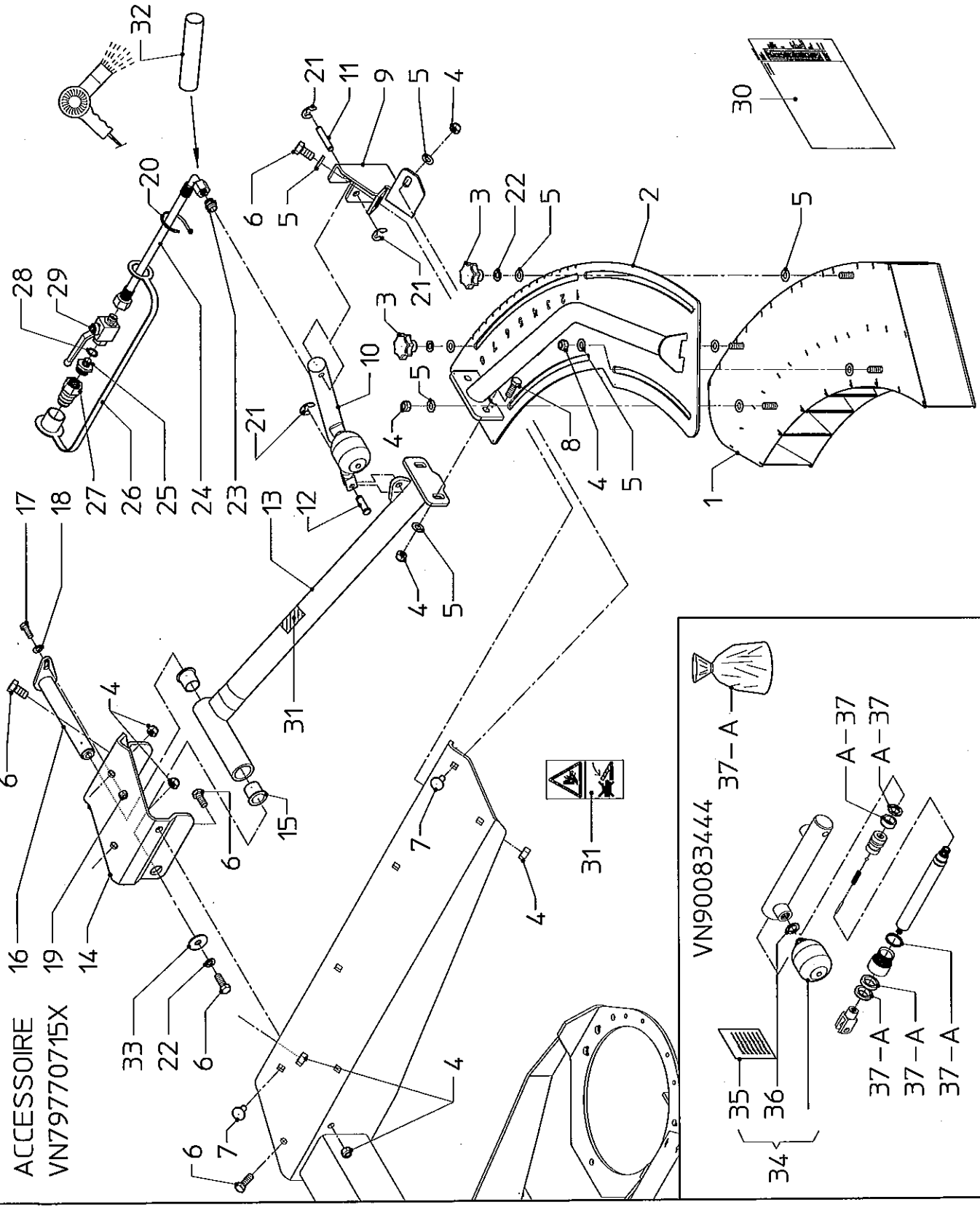
bestelnnummer
ordernummer
num. a commander
Bestellnummer

| | | |
|----|--------------|---------------|
| 1 | VN79770538X1 | M8/RVS |
| 2 | KG01095600 | 9/RVS |
| 3 | VNB30116090 | M10x90/RVS |
| 4 | KG00397400 | M8x70/RVS |
| 5 | KG00497900 | M8x75/RVS |
| 6 | VNB30120875 | M10x30/RVS |
| 7 | KG00498800 | M8x25/RVS |
| 8 | KG00497100 | M10/RVS/Nylac |
| 9 | KG01070000 | M8/RVS/Nylac |
| 10 | KG01069900 | M8/RVS |
| 11 | KG01053700 | A10,5/RVS |
| 12 | KG01257800 | A8,4/RVS |
| 13 | KG01257600 | A14x18x15 |
| 14 | VNB1419900 | G1/2" |
| 15 | VN90007711 | 1/2" |
| 16 | VNB38854081 | 365x7,8 |
| 17 | VNB38854581 | L=28 |
| 18 | VNB0504001 | L=140 |
| 19 | VNB0736102 | 1/4"-L=3000 |
| 20 | VNB1306893 | |
| 21 | VNB1504678 | |
| 22 | VNB2662102 | |
| 23 | VNB3069178 | |
| 24 | VNB3321902 | |
| 25 | VNB3324902 | |
| 26 | VNB3325194 | |
| 27 | VNB3325394 | |
| 28 | VNB3325494 | |
| 29 | VNB3325594 | |
| 30 | VNB3325778 | |
| 31 | VNB3354102 | |
| 32 | VNB3359702 | |
| 33 | VNB3364494 | |
| 34 | VNB3396178 | |
| 35 | VGTR2059 | |
| 36 | VN70009660 | |



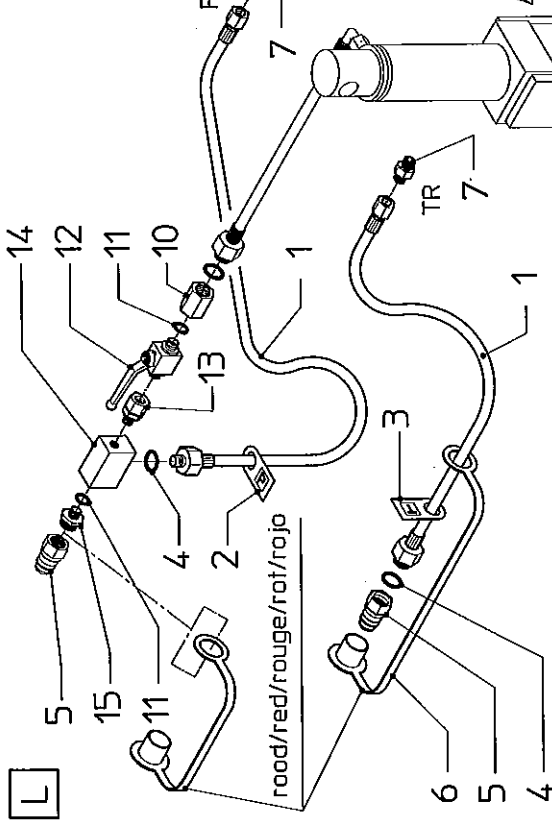
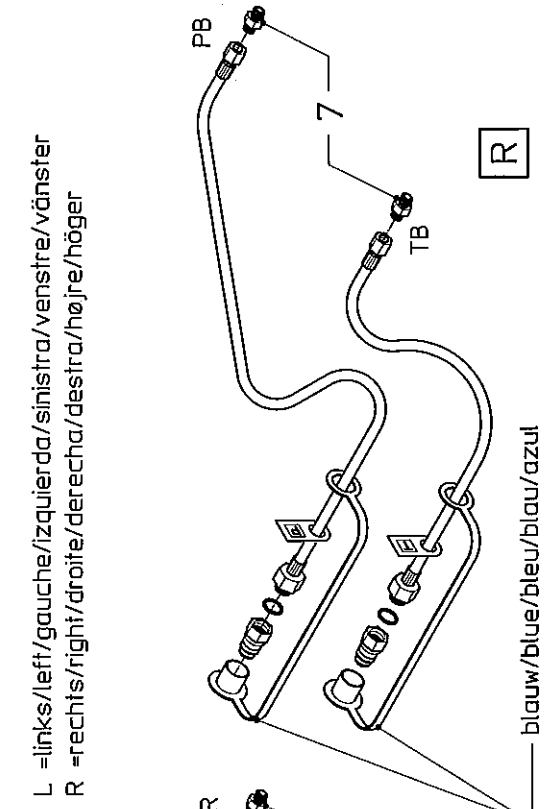
ACCESSOIRE
VN79770538X

bestelnnummer
ordernumber
num. o commander
Bestellnummer



ACCESSOIRE
VN79770715X

| | | | |
|----|-------------|----|-----------------|
| 1 | VN79770715X | 1 | M10/RVS/Nylac |
| 2 | VNB3914302 | 1 | 10,5/RVS |
| 3 | VNB3886194 | 1 | M10x25/RVS |
| 4 | VN17856588 | 2 | M10x30/RVS |
| 5 | KG01070000 | 10 | M10x30/RVS |
| 6 | KG01264000 | 12 | L=58 |
| 7 | KG00498700 | 5 | L=35 |
| 8 | KG00654500 | 2 | M8x25/RVS |
| 9 | KG00498800 | 2 | 8,4/RVS |
| 10 | VNB3912586 | 1 | M8/RVS/Nylac |
| 11 | VN90083444 | 1 | 200x4,7 |
| 12 | VNB3507502 | 1 | 9/RVS |
| 13 | VNB1843002 | 1 | A10/RVS |
| 14 | VNB3913294 | 1 | AL-6-R1/4"-Ohne |
| 15 | VNB3913686 | 1 | 1/4"-L=3000 mm |
| 16 | VNB3085978 | 2 | 1/2" |
| 17 | KG00497100 | 1 | G1/2" |
| 18 | KG01263900 | 1 | A14x18x15 |
| 19 | KG01069900 | 1 | L=140 mm |
| 20 | VN80504003 | 5 | A10,5/RVS |
| 21 | VN30116090 | 3 | A17x21x15 |
| 22 | VN30117100 | 3 | Sealing kit |
| 23 | VN38820161 | 1 | |
| 24 | VNB3069178 | 1 | |
| 25 | VNB1306893 | 1 | |
| 26 | VNB38854581 | 1 | |
| 27 | VNB38854081 | 1 | |
| 28 | VN31419900 | 1 | |
| 29 | VN90007711 | 1 | |
| 30 | VN70009776 | 1 | |
| 31 | VGTR2059 | 1 | |
| 32 | VNB1504678 | 1 | |
| 33 | KG01257800 | 1 | |
| 34 | VN79750037 | 1 | |
| 35 | VN70003641 | 1 | |
| 36 | VN31419016 | 1 | |
| 37 | VN79750027 | 1 | |

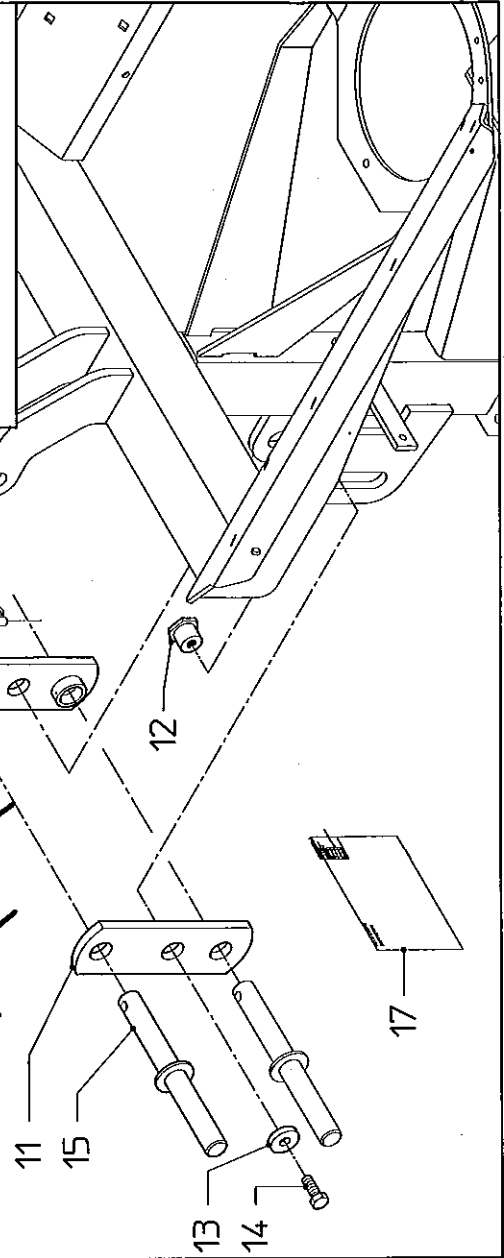
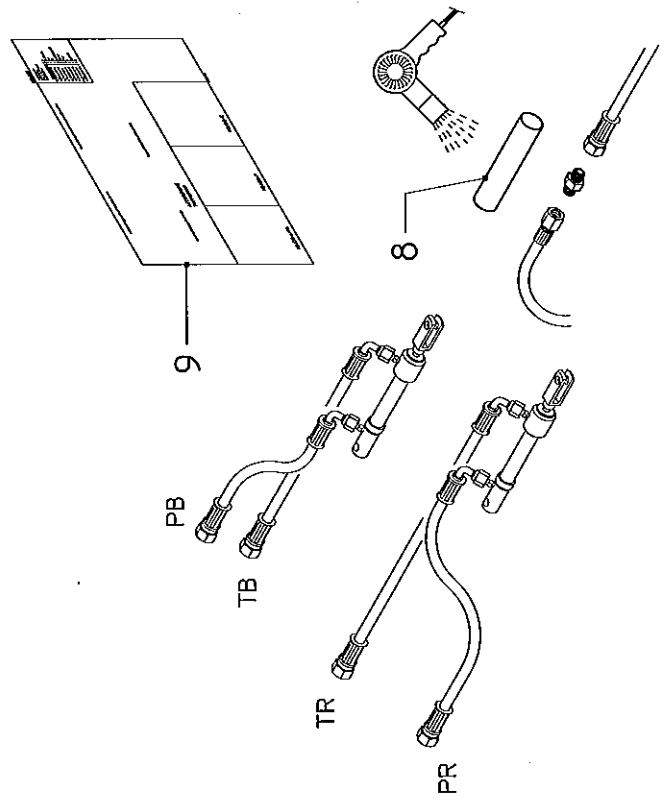


| | | |
|----|--------------|---------------|
| 1 | VN79770392X1 | L=1600 |
| 2 | VNB0738978 | P |
| 3 | VNB0817978 | T |
| 4 | VNB0818078 | A21x26x1,5 |
| 5 | VN31419201 | G1/2" |
| 6 | VN38854081 | 1/2" |
| 7 | VN38854586 | L=140 |
| 8 | VNB0854293 | G1/2"-M14x1,5 |
| 9 | VNB1504678 | A14x18x1,5 |
| 10 | VN70009483 | RAL-8M |
| 11 | VNB3084193 | G1/2"-M14-M12 |
| 12 | VN31419900 | G1/2"-M14x1,5 |
| 13 | VN17895704 | |
| 14 | VN38820225 | |
| 15 | VNB3083893 | |
| 16 | VNB1306893 | |

ACCESSOIRE
VN79770392X

ACCESSOIRE
VN79770361X

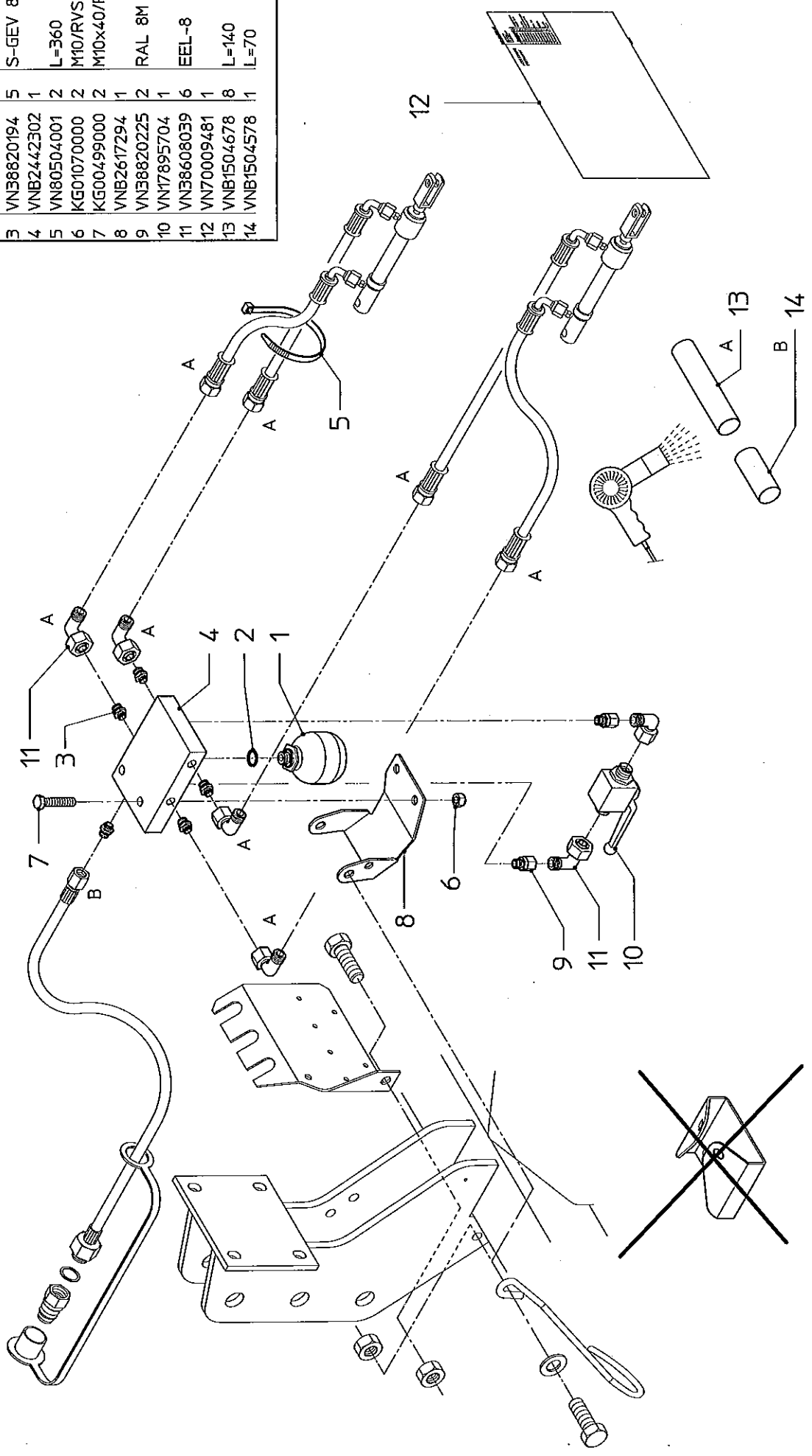
| | | |
|----|--------------|----------------|
| 11 | VN79770361X1 | K100-M12x25/DM |
| 12 | VNB3146394 | |
| 13 | VNB1926493 | |
| 14 | VN99440851 | |
| 15 | VN30296225 | |
| 16 | VNB1599894 | |
| 17 | VNB0765193 | |
| 18 | VN70009265 | |

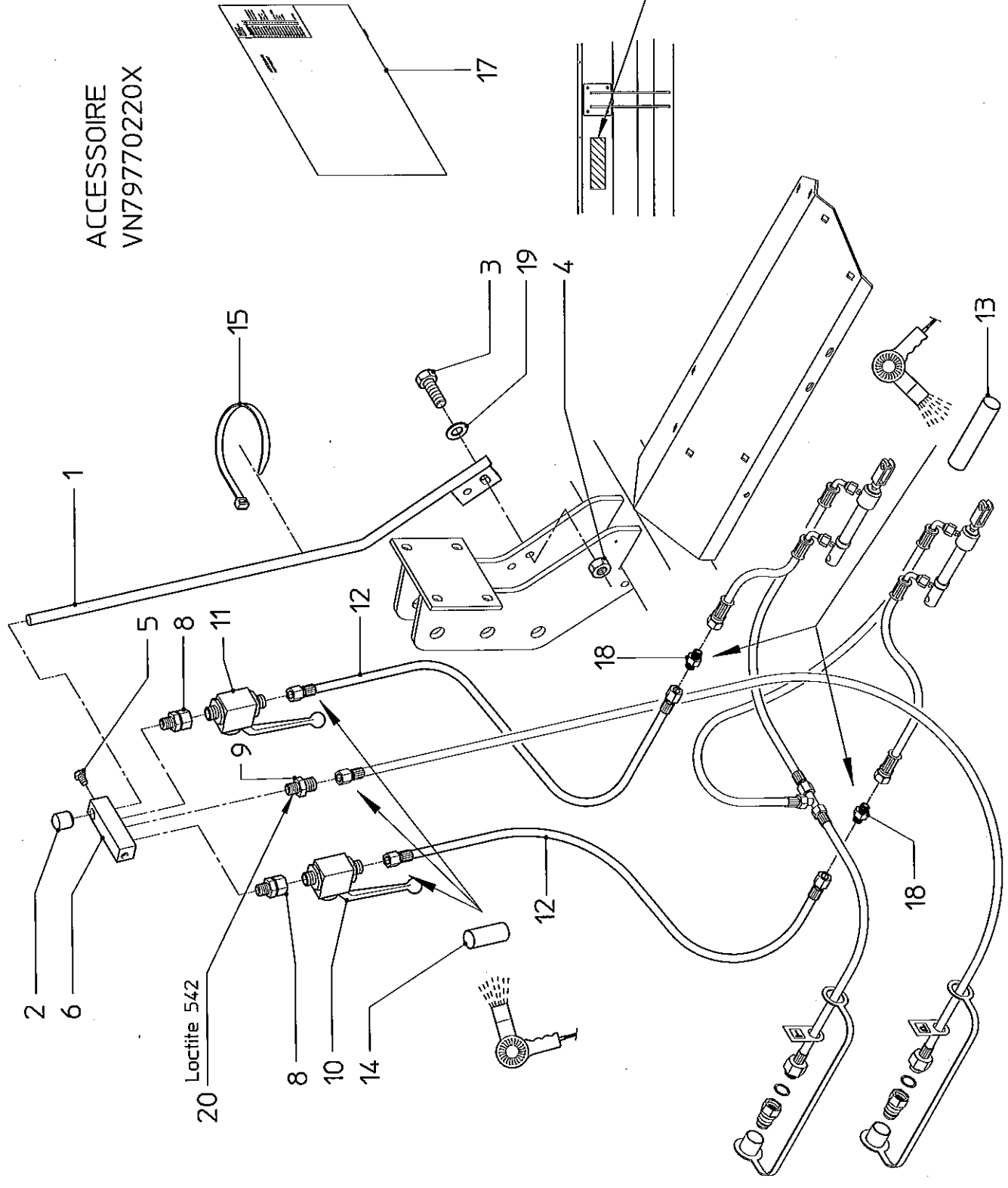


ACCESSOIRE
VN79770389X

bestelnummer
ordernumber
num. a commander
Bestelnummer

| | | |
|--------------|---|---------------|
| VN79770389X1 | 1 | 16x20x1,5/CU |
| VN17883776 | 1 | S-GEV 8LM |
| VN31419024 | 1 | L=360 |
| VN38820194 | 5 | M10/RVS/Nyloc |
| VNB2442302 | 1 | M10x40/RVS |
| VN80504001 | 2 | RAL 8M |
| KG01070000 | 2 | EEL-8 |
| KG00499000 | 2 | L=140 |
| VNB2617294 | 1 | L=70 |
| VN38820225 | 2 | |
| VN17895704 | 1 | |
| VN38608039 | 6 | |
| VN70009481 | 1 | |
| VNB1504678 | 8 | |
| VNB1504578 | 1 | |





ACCESSOIRE
VN79770220X

bestelnummer
ordernumber
num. a commander
Bestelnummer

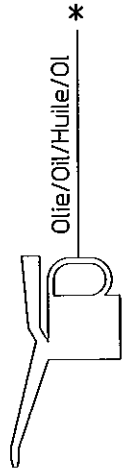
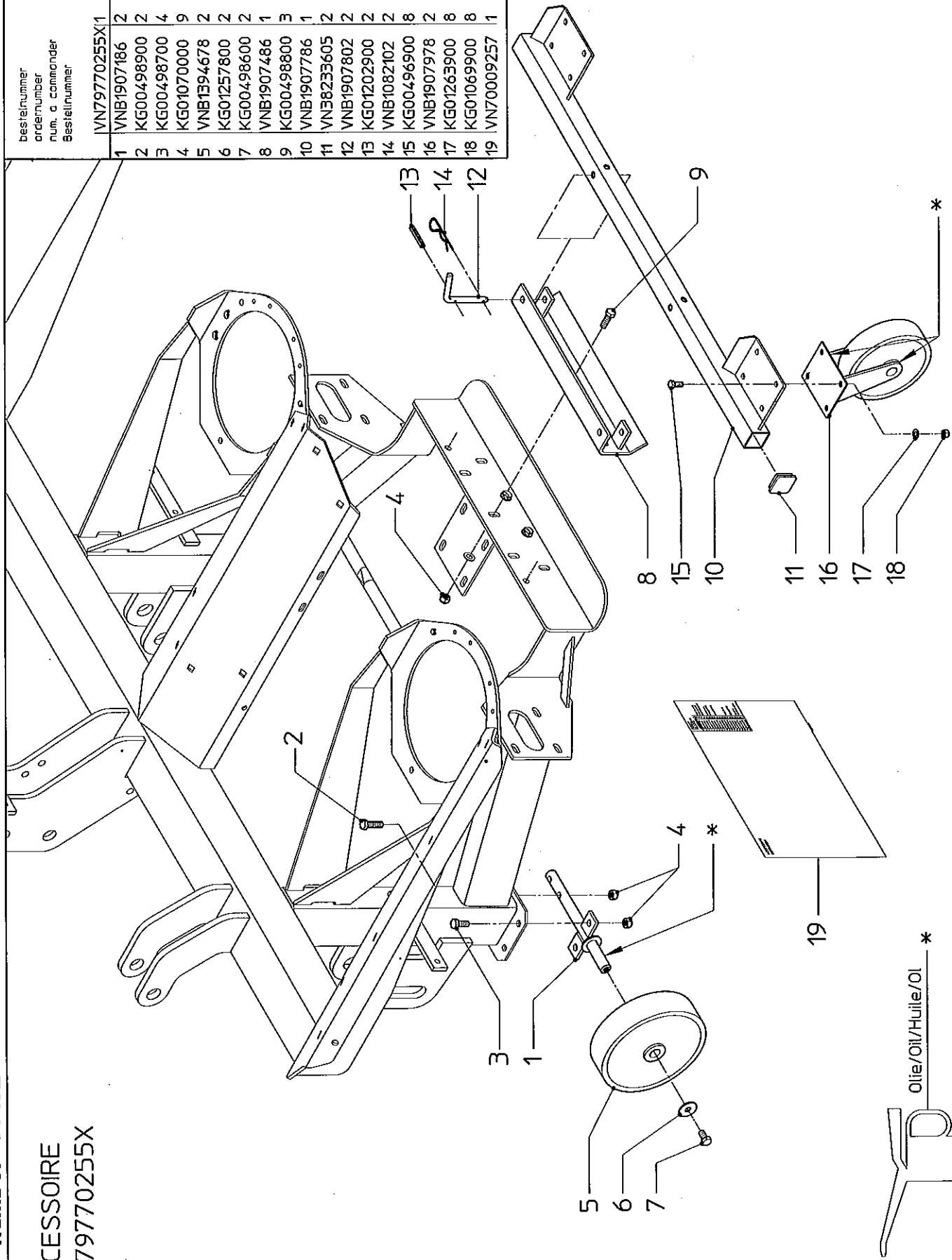
| | | |
|----|--------------|---|
| 1 | VN79770220X1 | 1 |
| 2 | VNB1840194 | 1 |
| 3 | VNB0854378 | 1 |
| 4 | KG00501000 | 2 |
| 5 | VN30598012 | 2 |
| 6 | KG00498500 | 1 |
| 8 | VNB1308693 | 1 |
| 9 | VN38820225 | 2 |
| 10 | VN38820194 | 1 |
| 11 | VN17895704 | 1 |
| 12 | VN17895703 | 1 |
| 13 | VNB1797478 | 2 |
| 14 | VNB1504678 | 2 |
| 15 | VNB1504578 | 3 |
| 16 | VN80504001 | 4 |
| 17 | VN70009207 | 1 |
| 18 | VNB0854293 | 1 |
| 19 | KG01264100 | 2 |
| 20 | | |

M12x35/RVS
K10/M12/DM
M10x16/RVS
RAL 8M
S-GEV 8LM
1/4"-L=1250
L=140
L=70
L=360
13/RVS
Loctite 542

ACCESSOIRE
VN79770255X

bestelnnummer
ordernummer
num. o commander
Bestellnummer

| | | |
|----|--------------|----------------|
| 1 | VN79770255X1 | |
| 2 | VNB1907186 | M10x35/RVS |
| 3 | KG00498900 | M10x25/RVS |
| 4 | KG00498700 | M10/RVS/Nylloc |
| 5 | KG01070000 | |
| 6 | VNB1394678 | A10,5/RVS |
| 7 | KG01257800 | M10x20/RVS |
| 8 | KG00498600 | |
| 9 | VNB1907486 | M10x30/RVS |
| 10 | KG00498800 | |
| 11 | VNB1907786 | |
| 12 | VNB3233605 | |
| 13 | VNB1907802 | 4x16/RVS |
| 14 | KG01202900 | |
| 15 | VNB1082102 | M8x20/RVS |
| 16 | KG00496900 | |
| 17 | VNB1907978 | 8.4/RVS |
| 18 | KG01263900 | |
| 19 | KG010669900 | M8/RVS/Nylloc |
| 19 | VN70009257 | |



Olif/Oil/Huile/Ol *

serial number 77152

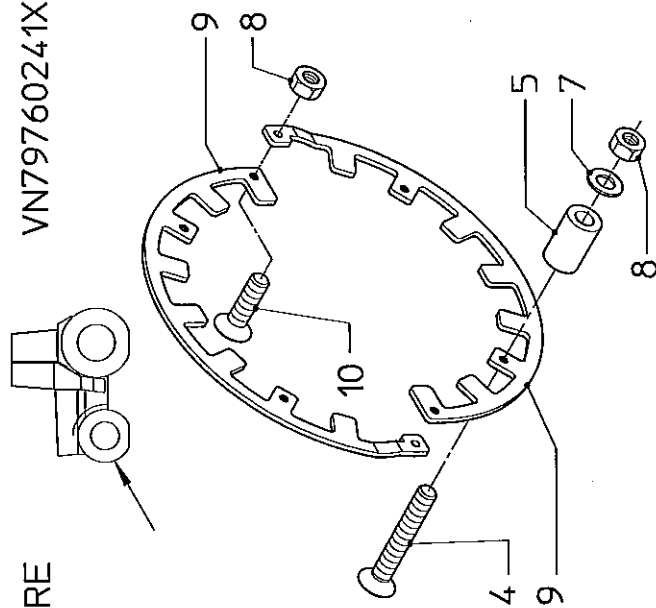
E14

RS-M 1050/2050 (3)

VN79760241X-Ø420

ACCESSOIRE

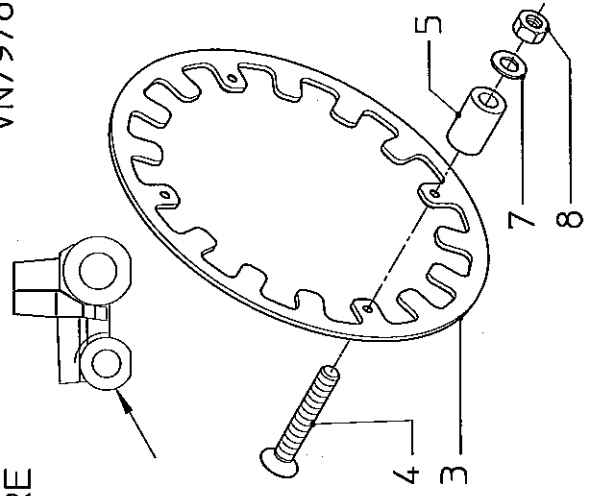
ED



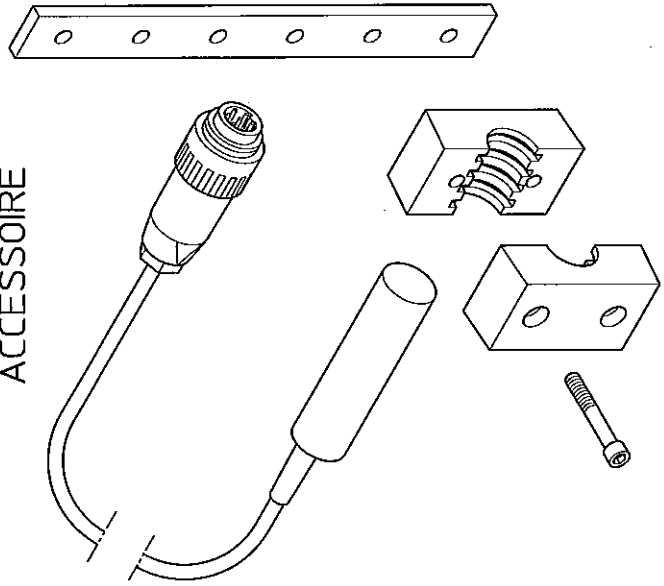
VN79760240X-Ø350

ACCESSOIRE

ED



ACCESSOIRE



15

WHEEL-SENSOR

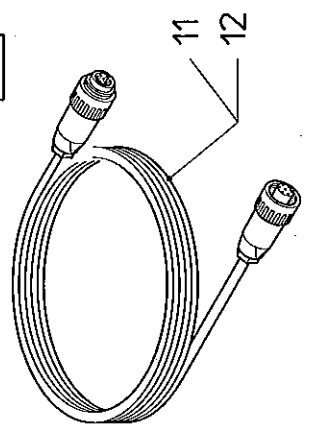
ED

bestelnnummer
ordernummer
num. a commander
Bestellnummer

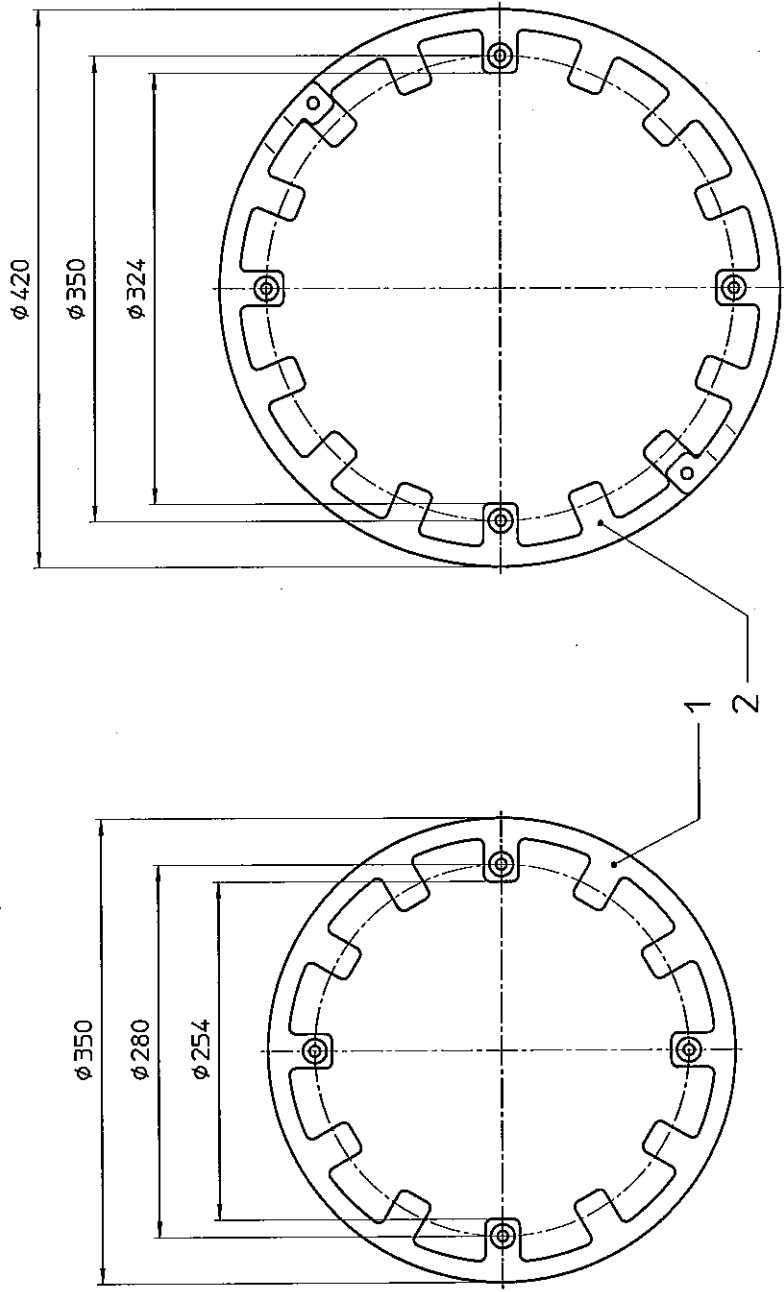
| | |
|--------------|----------------------------|
| VN79760240X1 | |
| 3 | VNB1517586 1 Ø350 |
| 4 | KG00872200 4 M8x50/RVS |
| 5 | VNB1153493 4 8,4/RVS |
| 7 | KG01263900 4 M8/RVS/Nylloc |
| 8 | KG01069900 4 |
| VN79760241X1 | |
| 4 | KG00872200 4 M8x50/RVS |
| 5 | VNB1153493 4 8,4/RVS |
| 7 | KG01263900 4 M8/RVS/Nylloc |
| 8 | KG01069900 6 Ø420 |
| 9 | VNB2928086 2 M8x25/RVS |
| 10 | KG00871700 2 |
| 11 | VNB0304073 1 6 mtr |
| 12 | VNB0326573 1 2,5 mtr |
| 15 | VNB0430273 1 l. |

ACCESSOIRE
EXTENSION CABLE

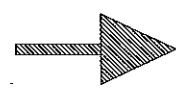
ED



ED



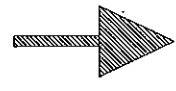
VNB1517586



X = 4,5 mm

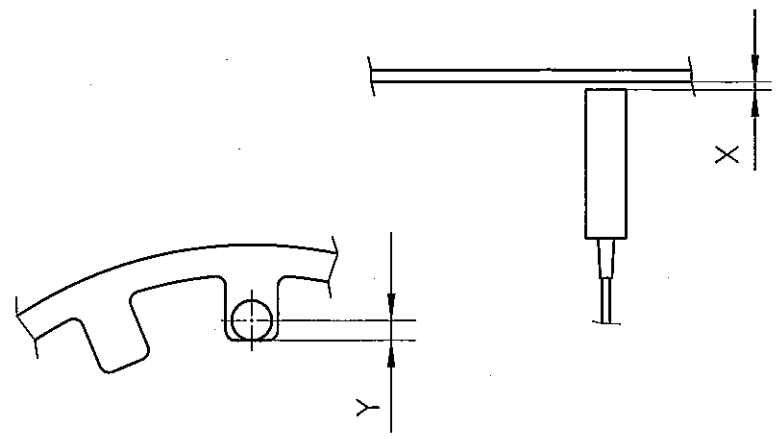
Y = 9 mm

VNB2928086 (2x)



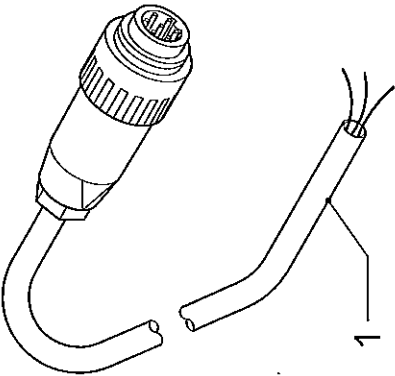
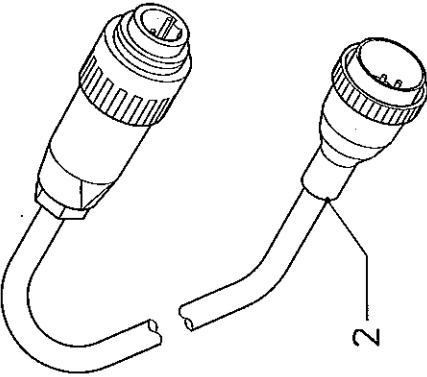
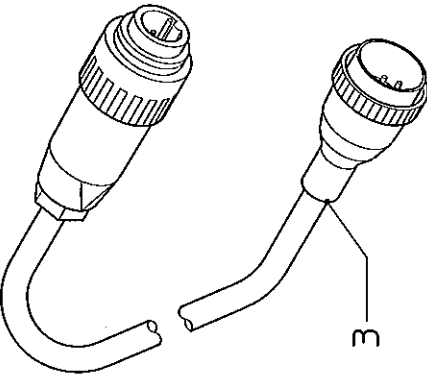
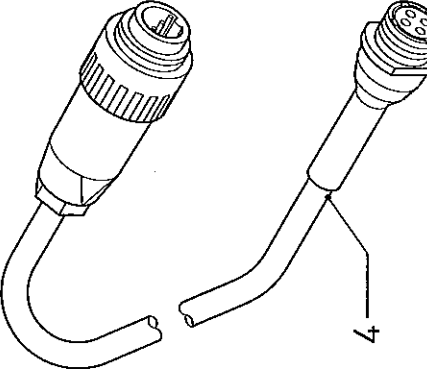
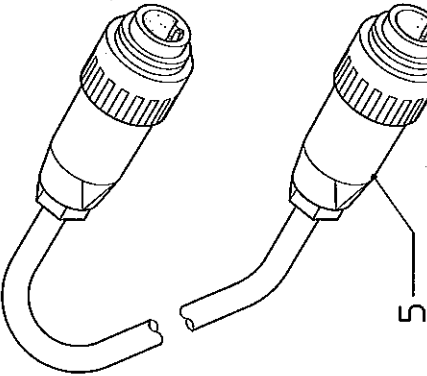
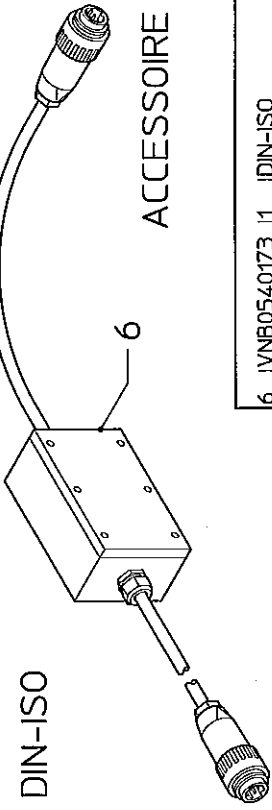
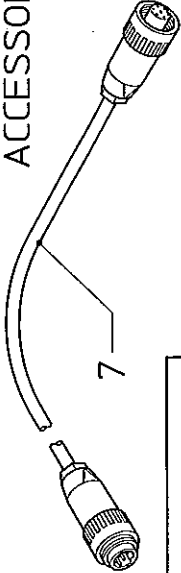
X = 3,5 mm

Y = 10,5 mm



| | | | |
|---|------------|---|------------|
| 1 | VNB1517586 | 1 | $\phi 350$ |
| 2 | VNB2928086 | 2 | $\phi 420$ |

CABLE FOR RADAR SENSOR TRACTOR

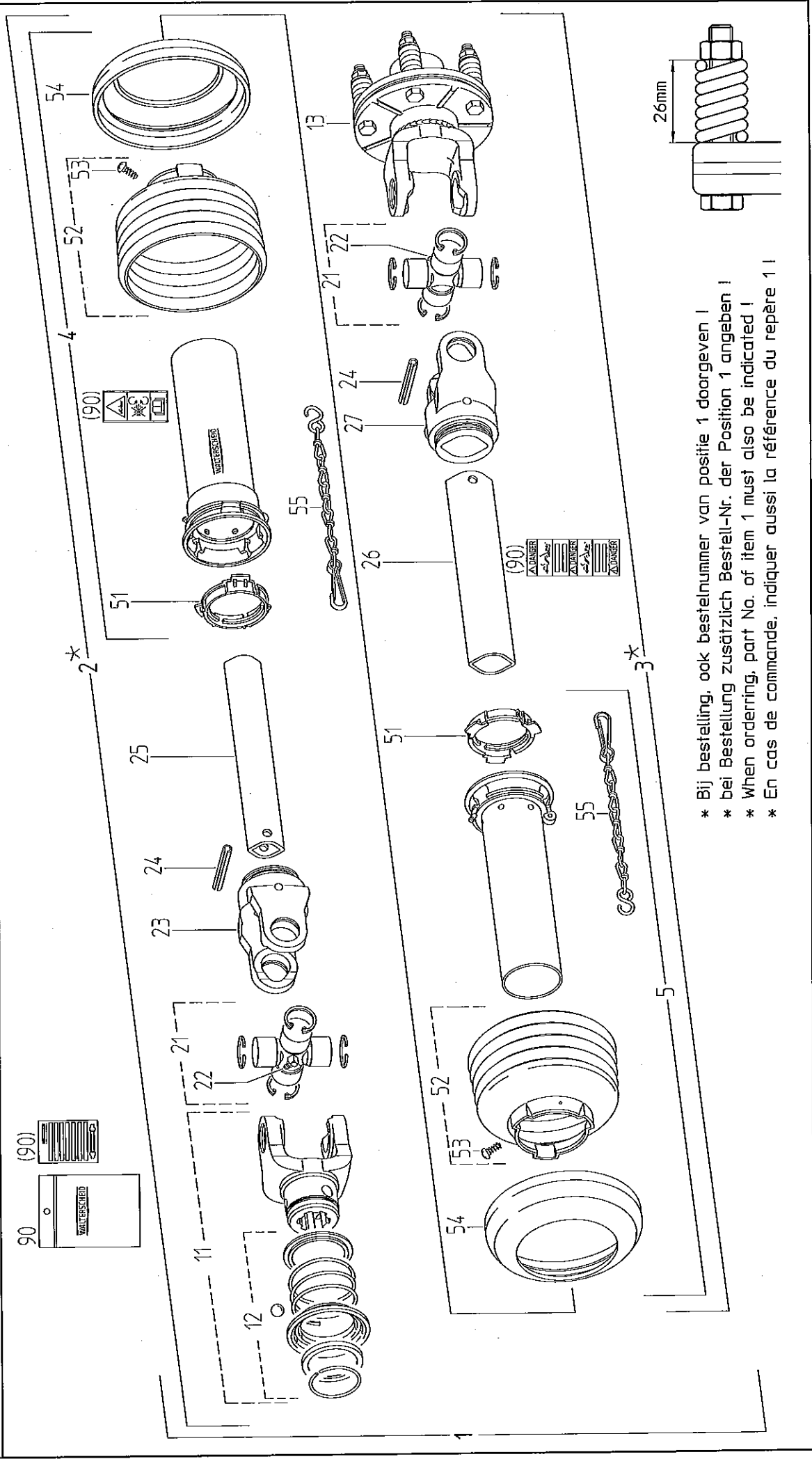
| | | | | |
|---|--|---|---|---|
| <p>SELF-MADE</p> <p>ACCESSOIRE</p>  <p>1</p> | <p>DATATRONIC-1</p> <p>ACCESSOIRE</p>  <p>2</p> | <p>DATATRONIC-2</p> <p>ACCESSOIRE</p>  <p>3</p> | <p>DICKEY JOHN</p> <p>ACCESSOIRE</p>  <p>4</p> | <p>DIN-ISO</p> <p>ACCESSOIRE</p>  <p>5</p> |
| <p>DIN-ISO</p>  <p>6</p> <p>ACCESSOIRE</p> | | | | |
| <p>DIN-ISO</p>  <p>7</p> <p>ACCESSOIRE</p> | | | | |
| <p>1 IVNB0303973 11 Self-made</p> | <p>2 IVNB0305873 11 Datatronic-1(MF)</p> | <p>3 IVNB0385273 11 Datatronic-2(MF)</p> | <p>4 IVNB0305973 11 Dickey John</p> | <p>5 IVNB0386773 11 DIN-ISO</p> |
| <p>6 IVNB0540173 11 DIN-ISO</p> | | | | |
| <p>7 IVNB0391073 11 DIN-ISO/1,5m</p> | | | | |

serial number 77152

C1

RS-M 1050/2050 (3)

| | | | | | |
|--------------|------------------|--------------------------------|---------------|--------------|-------------------|
| Walterscheid | 11 VG10.83.40 | AZG2100-1 3/8*(6) | 24 VG61.04.01 | ISO8752-8x50 | 53 VG365305 |
| 1 VN46120092 | 12 VGagrasel 173 | K94/1-2100-1 3/8*(6)ZV-M=400Nm | 25 VG75.02.15 | 00C-800 | 54 VG83.10.03 |
| 2 * | 13 VG56.117.19 | BMBx1 | 26 VG75.06.15 | 0a-800 | 55 VG82.36.03 |
| 3 * | 21 VG10.01.00 | RG2100-00a | 27 VG10.49.00 | RG2100-0a | 90 VGagrasel 2071 |
| 4 VG85.005 | 22 VG63.27.00 | | 51 VG83.09.01 | | |
| 5 VG85.004 | 23 VG10.48.00 | | 52 VG85.05.06 | n-RP6 | |



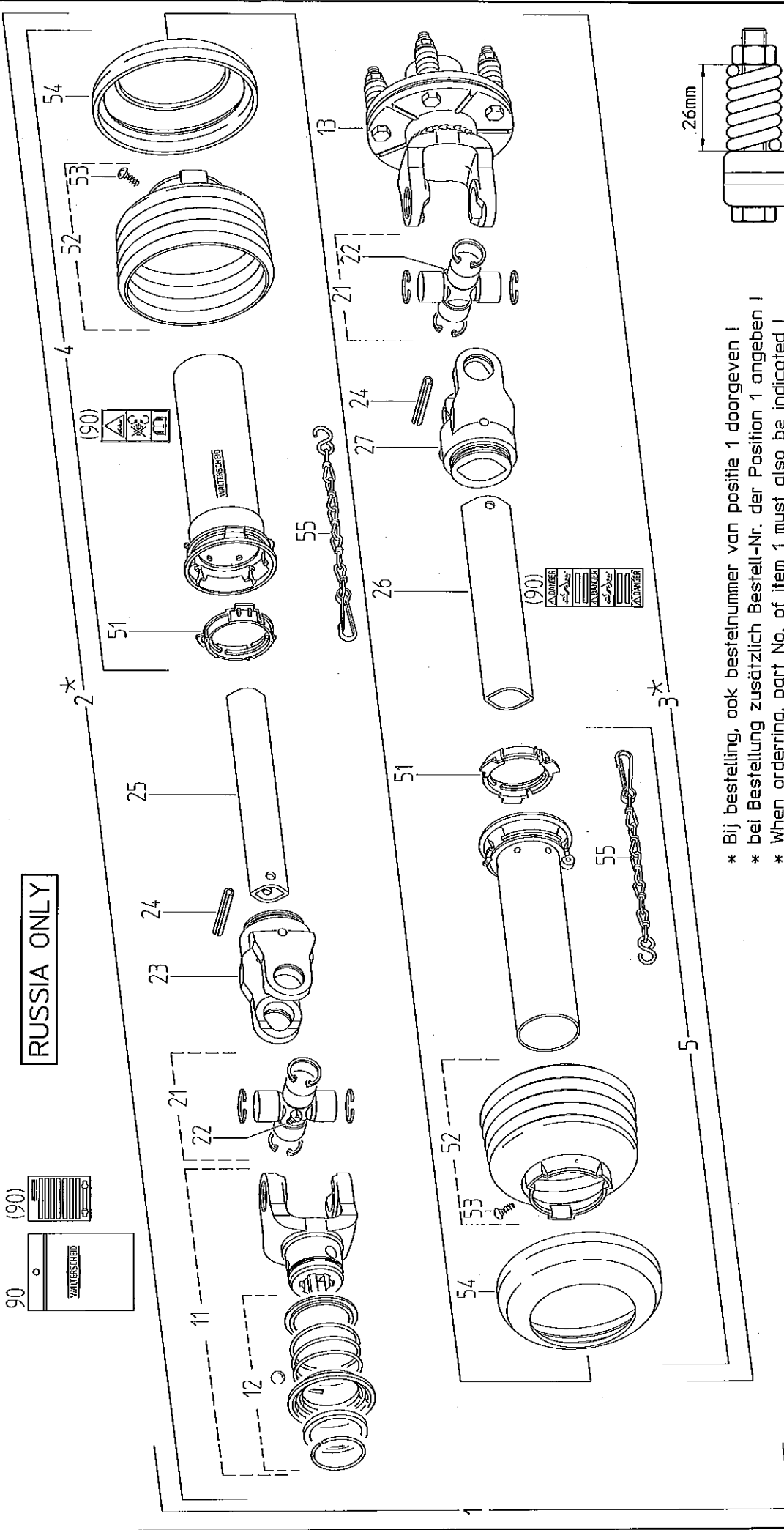
* Bij bestelling, ook bestelnummer van positie 1 doorgeven !
 * bei Bestellung zusätzlich Bestell-Nr. der Position 1 angeben !
 * When ordering, part No. of item 1 must also be indicated !
 * En cas de commande, indiquer aussi la référence du repère 1 !

serial number 77152

C2

RS-M 1050/2050 (3)

| | | | | | |
|--------------|------------------|---------------------------------|---------------|--------------|-------------------|
| Walterscheid | 11 VG10.83.34 | ASGE2100-8x32x38 | 24 VG61.04.01 | ISO8752-8x50 | 53 VG365305 |
| 1 VN46120096 | 12 VGagraset 174 | K94/1-2100-1 3/8"(6)ZV-M=4.00Nm | 25 VG75.02.15 | 00C-800 | 54 VG83.10.03 |
| 2 * | 13 VG56.117.19 | BM8x1 | 26 VG75.06.15 | 0a-800 | 55 VG82.36.03 |
| 3 * | 21 VG10.01.00 | RG2100-00a | 27 VG10.49.00 | RG2100-0a | 90 VGagraset 207. |
| 4 VG85.005 | 22 VG63.27.00 | | 51 VG83.09.01 | | |
| 5 VG85.004 | 23 VG10.48.00 | | 52 VG85.05.06 | n-RP6 | |



- * Bij bestelling, ook bestelnummer van positie 1 doorgeven !
- * bei Bestellung zusätzlich Bestell-Nr. der Position 1 angeben !
- * When ordering, part No. of item 1 must also be indicated !
- * En cas de commande, indiquer aussi la référence du repère 1 !

| Page: 08 | | | | | | Page: 09 | | | | | | Page: 10 | | | | | | Page: 11 | | | | | | Page: 12 | | | | | | Page: 13 | | | | | | Page: 14 | | | | | | | | | | | | | | | | | | | | | | | | | | | | | | | | | | | | | | | | | | | | | | | | | | | | | | | | | | | | | | | | | | | | | | | | | | | | | | | | | | | | | | | | | | | | | | | | | | | | | | | | | | | | | | | | | | | | | | | | | | | | | | | | | | | | | | | | | | | | | | | | | | | | | | | | | | | | | | | | | | | | | | | | | | | | | | | | | | | | | | | | | | | | | | | | | | | | | | | | | | | | | | | | | | | | | | | | | | | | | | | | | | | | | | | | | | | | | | | | | | | | | | | | | | | | | | | | | | | | | | | | | | | | | | | | | | | | | | | | | | | | | | | | | | | | | | | | | | | | | | | | | | | | | | | | | | | | | | | | | | | | | | | | | | | | | | | | | | | | | | | | | | | | | | | | | | | | | | | | | | | |
|------------|------------|-------------|--------|--------------|------------|-------------|-------------|------------|--------------|------------|-------------|-------------|------------|--------------|------------|-------------|-------------|------------|--------------|------------|-------------|-------------|------------|--------------|------------|-------------|-------------|------------|--------------|-------------|-------|-------------|------------|--------------|------|------------|-----|------------|-----|------------|-----|------------|-----|------------|-----|------------|-----|------------|-----|------------|-----|------------|-----|------------|-----|------------|-----|------------|-----|------------|-----|------------|-----|------------|-----|------------|-----|------------|-----|------------|-----|------------|-----|------------|-----|------------|-----|------------|-----|------------|-----|------------|-----|------------|-----|------------|-----|------------|-----|------------|-----|------------|-----|------------|-----|------------|-----|------------|-----|------------|-----|------------|-----|------------|-----|------------|-----|------------|-----|------------|-----|------------|-----|------------|-----|------------|-----|------------|-----|------------|-----|------------|-----|------------|-----|------------|-----|------------|-----|------------|-----|------------|-----|------------|-----|------------|-----|-------------|-----|------------|-----|------------|-----|------------|-----|------------|-----|------------|-----|------------|-----|------------|-----|------------|-----|------------|-----|------------|-----|------------|-----|------------|-----|------------|-----|------------|-----|------------|-----|------------|-----|------------|-----|------------|-----|------------|-----|------------|-----|------------|-----|------------|-----|------------|-----|------------|-----|------------|-----|------------|-----|------------|-----|------------|-----|------------|-----|------------|-----|------------|-----|------------|-----|------------|-----|-------------|-----|------------|-----|------------|-----|------------|-----|------------|-----|------------|-----|------------|-----|------------|-----|------------|-----|------------|-----|------------|-----|------------|-----|------------|-----|------------|-----|------------|-----|------------|-----|------------|-----|------------|-----|------------|-----|------------|-----|------------|-----|------------|-----|------------|-----|------------|-----|------------|-----|------------|-----|------------|-----|------------|-----|------------|-----|------------|-----|------------|-----|------------|-----|------------|-----|------------|-----|------------|-----|------------|-----|------------|-----|------------|-----|------------|-----|------------|-----|------------|-----|------------|-----|------------|-----|------------|-----|------------|-----|------------|-----|------------|-----|------------|-----|------------|-----|------------|-----|------------|-----|------------|-----|------------|-----|------------|-----|------------|-----|------------|-----|------------|-----|------------|-----|------------|-----|------------|-----|------------|-----|------------|-----|------------|-----|------------|-----|------------|-----|------------|-----|------------|-----|------------|-----|------------|-----|------------|-----|------------|-----|------------|-----|------------|-----|------------|-----|------------|-----|------------|-----|------------|-----|------------|-----|------------|-----|------------|-----|------------|-----|------------|-----|------------|-----|------------|-----|------------|-----|------------|-----|------------|-----|------------|-----|------------|-----|------------|-----|------------|-----|------------|-----|------------|-----|------------|-----|------------|-----|------------|-----|------------|-----|
| Part no. | Selle | No. de ref. | Pagina | Norm. de pza | Part no. | Selle | No. de ref. | Pagina | Norm. de pza | Part no. | Selle | No. de ref. | Pagina | Norm. de pza | Part no. | Selle | No. de ref. | Pagina | Norm. de pza | Part no. | Selle | No. de ref. | Pagina | Norm. de pza | Part no. | Selle | No. de ref. | Pagina | Norm. de pza | Part no. | Selle | No. de ref. | Pagina | Norm. de pza | | | | | | | | | | | | | | | | | | | | | | | | | | | | | | | | | | | | | | | | | | | | | | | | | | | | | | | | | | | | | | | | | | | | | | | | | | | | | | | | | | | | | | | | | | | | | | | | | | | | | | | | | | | | | | | | | | | | | | | | | | | | | | | | | | | | | | | | | | | | | | | | | | | | | | | | | | | | | | | | | | | | | | | | | | | | | | | | | | | | | | | | | | | | | | | | | | | | | | | | | | | | | | | | | | | | | | | | | | | | | | | | | | | | | | | | | | | | | | | | | | | | | | | | | | | | | | | | | | | | | | | | | | | | | | | | | | | | | | | | | | | | | | | | | | | | | | | | | | | | | | | | | | | | | | | | | | | | | | | | | | | | | | | | | | | | | | | | | | | | | | | | | | | | | | | | | | | | | | | | | | | | | |
| Teiln.-nr. | Teiln.-nr. | Onderd. nr. | Page | Teiln.-nr. | Teiln.-nr. | Onderd. nr. | Page | Teiln.-nr. | Teiln.-nr. | Teiln.-nr. | Onderd. nr. | Page | Teiln.-nr. | Teiln.-nr. | Teiln.-nr. | Onderd. nr. | Page | Teiln.-nr. | Teiln.-nr. | Teiln.-nr. | Onderd. nr. | Page | Teiln.-nr. | Teiln.-nr. | Teiln.-nr. | Onderd. nr. | Page | Teiln.-nr. | Teiln.-nr. | Onderd. nr. | Page | Teiln.-nr. | Teiln.-nr. | Onderd. nr. | Page | | | | | | | | | | | | | | | | | | | | | | | | | | | | | | | | | | | | | | | | | | | | | | | | | | | | | | | | | | | | | | | | | | | | | | | | | | | | | | | | | | | | | | | | | | | | | | | | | | | | | | | | | | | | | | | | | | | | | | | | | | | | | | | | | | | | | | | | | | | | | | | | | | | | | | | | | | | | | | | | | | | | | | | | | | | | | | | | | | | | | | | | | | | | | | | | | | | | | | | | | | | | | | | | | | | | | | | | | | | | | | | | | | | | | | | | | | | | | | | | | | | | | | | | | | | | | | | | | | | | | | | | | | | | | | | | | | | | | | | | | | | | | | | | | | | | | | | | | | | | | | | | | | | | | | | | | | | | | | | | | | | | | | | | | | | | | | | | | | | | | | | | | | | | | | | | | | | | | | | | | | | | |
| VN38854081 | E08 | VN79770450 | D14 | VN80504003 | E03 | VNB0682993 | D03 | VNB1306893 | E10 | VNB1761578 | D06 | VNB1934594 | E03 | VN38854081 | E09 | VN79750037 | E09 | VN80504003 | E05 | VNB0723378 | D07 | VNB1307394 | D01 | VNB1934694 | E03 | VN38854081 | E10 | VN79750027 | E09 | VN80504003 | E09 | VNB0736102 | D06 | VNB1774002 | D05 | VNB1934794 | E03 | VN38854581 | D06 | VN79760240 | E14 | VN90007711 | E08 | VNB0736102 | C16 | VNB1310474 | D05 | VNB1934894 | E03 | VN38854581 | E07 | VN79760241 | E14 | VN90007711 | E09 | VNB0738978 | D06 | VNB1394678 | D07 | VNB1935578 | E03 | VN38854581 | E08 | VN79770150 | D04 | VN90083444 | E09 | VNB0738978 | D06 | VNB1779686 | D07 | VNB1936602 | E03 | VN38854581 | E09 | VN79770216 | D04 | VN90090190 | D09 | VNB0739093 | E11 | VNB1783093 | D03 | VNB1937378 | E03 | VN38854586 | E10 | VN79770220 | E12 | VN90090191 | D13 | VNB0765193 | E12 | VNB1797478 | E12 | VNB1937478 | E03 | VN46120096 | C01 | VN79770255 | E13 | VN90090191 | C16 | VNB0765193 | E07 | VNB1838978 | D06 | VNB1953394 | D03 | VN48520005 | E05 | VN79770259 | E03 | VN90090191 | D06 | VNB0765193 | E10 | VNB1839078 | D06 | VNB1988886 | D09 | VN48520009 | E05 | VN79770261 | E03 | VN90064273 | D14 | VNB0817978 | E10 | VNB1504678 | E09 | VNB1843002 | D04 | VN48523001 | E05 | VN79770281 | D09 | VNB06260173 | D12 | VNB0818078 | E10 | VNB1504678 | E09 | VNB1843002 | D04 | VN48523002 | E05 | VN79770339 | D16 | VNB0266873 | D10 | VNB0818078 | E11 | VNB1504678 | E12 | VNB1843002 | D04 | VN70003641 | E09 | VN79770361 | E10 | VNB0268173 | D12 | VNB0835278 | E12 | VNB1843178 | D09 | VN70004353 | D10 | VN79770389 | E11 | VNB0303973 | E16 | VNB0835278 | E14 | VNB1843178 | D13 | VN70009207 | E12 | VN79770392 | E10 | VNB0304073 | E14 | VNB0854293 | E10 | VNB1843478 | E06 | VN70009257 | E13 | VN79770401 | E07 | VNB0305873 | E16 | VNB0854293 | E12 | VNB1843478 | E06 | VN70009265 | E10 | VN79770430 | E06 | VNB0305973 | E16 | VNB0854378 | D05 | VNB20027286 | D09 | VN70009280 | E03 | VN79770433 | D12 | VNB0326573 | E14 | VNB0870178 | D01 | VNB1870694 | E01 | VNB2007286 | D13 | VN70009318 | E11 | VN79770487 | E07 | VNB0374873 | D08 | VNB0903374 | C16 | VNB1870694 | E02 | VN70009481 | E10 | VN79770488 | E05 | VNB0374873 | D13 | VNB1060002 | D04 | VNB1871994 | E02 | VN70009499 | E07 | VN79770495 | E01 | VNB0385273 | E16 | VNB1060002 | E06 | VNB1871994 | E01 | VN70009511 | E06 | VN79770501 | E04 | VNB0386773 | E16 | VNB1060102 | D04 | VNB2022474 | E04 | VN70009542 | E05 | VN79770538 | E08 | VNB0391073 | E16 | VNB1608494 | E07 | VNB2030678 | D06 | VN70009543 | E07 | VN79770692 | E09 | VNB0430273 | E14 | VNB1616786 | D05 | VNB2057986 | D01 | VN70009545 | E01 | VN79770715 | E02 | VNB0446473 | D12 | VNB1707486 | E13 | VNB2068578 | D05 | VN70009554 | E04 | VN80504001 | D06 | VNB0489473 | D13 | VNB1082102 | D05 | VNB2068678 | D05 | VN70009660 | E08 | VN80504001 | D09 | VNB0540173 | E16 | VNB1082102 | D06 | VNB2068778 | D07 | VN70009758 | E02 | VN80504001 | D10 | VNB0548173 | D08 | VNB1153493 | E14 | VNB2084694 | E03 | VN70009776 | E09 | VN80504001 | D12 | VNB0548173 | D11 | VNB1181374 | C16 | VNB2092402 | D03 | VN70009784 | D14 | VN80504001 | D13 | VNB0548673 | D09 | VNB1181374 | D04 | VNB2092578 | D03 | VN79730053 | D09 | VN80504001 | E08 | VNB0563573 | D03 | VNB1194874 | C16 | VNB2092578 | D03 | VN79730420 | D08 | VN80504001 | E11 | VNB0563773 | D08 | VNB1194874 | D04 | VNB2134778 | D03 | VN79730427 | D12 | VN80504001 | E12 | VNB0565973 | D11 | VNB1226902 | D06 | VNB1934294 | E03 | VN79730427 | D13 | VN80504003 | D10 | VNB0566173 | D09 | VNB1306893 | E08 | VNB2235978 | D09 | VN79730429 | D11 | VN80504003 | D12 | VNB0566173 | D13 | VNB1306893 | E09 | VNB2235978 | D13 | VN79730429 | D11 | VN80504003 | D12 | VNB0566173 | D13 | VNB1306893 | E09 | VNB2236094 | D06 |

NUMERICAL INDEX / NUMMERN-VERZEICHNIS / INDEX NUMERIQUE / NUMERIEKE INDEX / INDICE DE NUMEROS

3 RS-M 1050/2050

| Part no. | | Page: 15 | | Page: 16 | | Page: 17 | |
|--------------|--------------|--------------|--------------|--------------|--------------|--------------|--------------|
| Teile-nr. | Selle | Teile-nr. | Selle | Teile-nr. | Selle | Teile-nr. | Selle |
| No. de ref. | Page | No. de ref. | Page | No. de ref. | Page | No. de ref. | Page |
| Onderd. nr. | Pagina | Onderd. nr. | Pagina | Onderd. nr. | Pagina | Onderd. nr. | Pagina |
| Norm. de pza | Norm. de pza | Norm. de pza | Norm. de pza | Norm. de pza | Norm. de pza | Norm. de pza | Norm. de pza |
| VNB2333794 | D04 | VNB3083893 | E10 | VNB3914302 | E09 | | |
| VNB2333878 | D05 | VNB3084193 | E10 | VNB3922994 | E05 | | |
| VNB2395394 | E03 | VNB3085978 | E09 | VNB4059402 | D05 | | |
| VNB2426674 | D12 | VNB3146394 | E10 | VNB4061702 | D05 | | |
| VNB2442302 | E11 | VNB3310986 | D09 | VNB4061978 | D05 | | |
| VNB2498994 | E07 | VNB3310986 | D13 | VNB4073178 | D05 | | |
| VNB2530294 | D03 | VNB3311186 | D09 | VNB4108074 | C16 | | |
| VNB2530494 | D03 | VNB3311186 | D13 | | | | |
| VNB2530594 | D03 | VNB3321902 | E08 | | | | |
| VNB2544002 | D05 | VNB3324902 | E08 | | | | |
| VNB2544102 | D05 | VNB3325194 | E08 | | | | |
| VNB2544378 | D05 | VNB3325394 | E08 | | | | |
| VNB2544402 | D05 | VNB3325494 | E08 | | | | |
| VNB2544502 | D05 | VNB3325594 | E08 | | | | |
| VNB2559578 | D13 | VNB3325778 | E08 | | | | |
| VNB2588194 | D12 | VNB3331194 | D03 | | | | |
| VNB2617294 | E11 | VNB3354102 | E08 | | | | |
| VNB2662102 | E08 | VNB3359702 | E08 | | | | |
| VNB2705594 | E07 | VNB3364494 | E08 | | | | |
| VNB2722194 | E05 | VNB3396178 | E08 | | | | |
| VNB2723186 | D12 | VNB3507502 | E09 | | | | |
| VNB2760978 | D07 | VNB3622394 | D10 | | | | |
| VNB2776778 | D07 | VNB3622394 | D12 | | | | |
| VNB2776802 | D07 | VNB3734878 | D03 | | | | |
| VNB2778974 | C16 | VNB3829974 | C16 | | | | |
| VNB2801194 | D07 | VNB3860094 | E02 | | | | |
| VNB2801294 | D07 | VNB3860194 | E02 | | | | |
| VNB2820794 | E01 | VNB3862286 | D01 | | | | |
| VNB2836494 | E07 | VNB3864794 | D07 | | | | |
| VNB2836894 | E07 | VNB3868002 | D02 | | | | |
| VNB2836994 | E07 | VNB3872902 | D08 | | | | |
| VNB2839394 | E01 | VNB3872902 | D11 | | | | |
| VNB2843778 | E04 | VNB3886194 | E09 | | | | |
| VNB2843878 | E04 | VNB3910902 | D03 | | | | |
| VNB2928086 | E14 | VNB3912586 | E09 | | | | |
| VNB2928086 | E15 | VNB3913093 | E09 | | | | |
| VNB3069178 | E08 | VNB3913294 | E09 | | | | |
| VNB3069178 | E09 | VNB3913686 | E09 | | | | |



RS-M 1050/2050

02156 ≥Mach ID

Kverneland Group Nieuw-Vennep
B.V.
Hoofdweg 1278
NL-2153 LR Nieuw-Vennep
The Netherlands

© Kverneland group

All rights reserved. No part of this book may be reproduced, stored in a database or retrieval system, or published in any form or in any way, electronically, mechanically, optically, by print, photo print, microfilm (including micro and macro fiche), or any other means, including all video and CD systems, without prior written permission from the publisher.

